



FEATURES

- Self cleaning contacts
- Custom colors & printing available upon request
- Crisp Detent Action
- Small Switch-High Current Switching
- Easy To Terminate With Solderless Connectors
- Easy self-locking panel mount, no hardware required
- Optional clear boot fits all 2 Series switches
- Fully enclosed active switching elements



CAUTION! Switches marked with a triangle are acceptable for use as power switches provided there is a plug disconnect or a switch with open contact gaps of 3 mm minimum.

MOUNTING

No hardware or tools needed. Self locks into proper panel cutout 12.9mm (0.508") x 19.2mm (0.756").

Acceptable panel thickness range is from .64mm (0.025") to 4.57mm (0.180").



CAUTION! Burr direction must be away from the direction of insertion

TERMINATION

Standard is solderless 4.75mm (0.187") wide x 0.81mm (0.032") thick. Solder terminals are also available.

ELECTRICAL RATING

AMPS	VOLTAGE
GP 10A	125VAC
GP 10A	250VAC
GP 6A	277VAC
1/2 HP	250VAC
10A	14V Tung
20A	14VDC Peak

APPROVALS

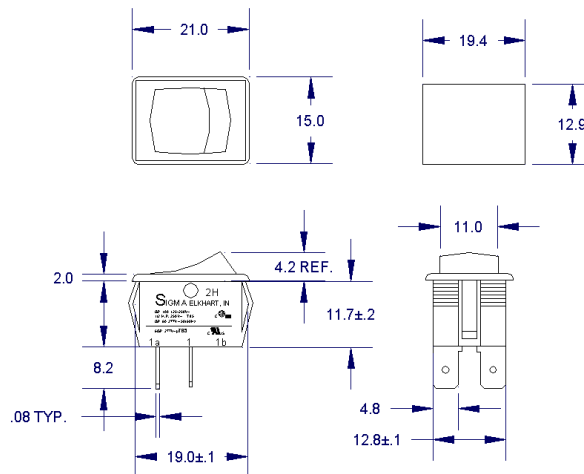
UL, CUL, CSA, RoHS compliant

SWITCH SELECTION CHART

Part No.	Circuit	Special Markings	BLK	WHT	RED	BLU	GRN	AMB	BRN	IVY
2H-28	DPST on/off		O							
2H-28-NB	DPST on/off	No Barrier	O							

2 SERIES (2H-28 SHOWN FOR REFERENCE PURPOSE ONLY)

NOTE: CUTOUT SIZE IS FOR REFERENCE ONLY AND MAY VARY DEPENDING ON THE THICKNESS OF THE MATERIAL USED.



SIGMA SWITCHES PLUS

4703 Wyland Dr.
Elkhart, IN 46516

Ph: 574-294-5776

Fax: 574-294-8744

www.sigmaswitches.com

OUR COMMITMENT TO YOU

We are constantly adding-to and improving our selection of Rocker, Toggle, Push Button and other types of switches. If you do not find what you need here, or on other pages of our web site, please do not hesitate to contact us. If your need is custom, we would like to discuss your unique design requirements as well.

Thank you for giving us the opportunity to fulfill Your switching needs!