

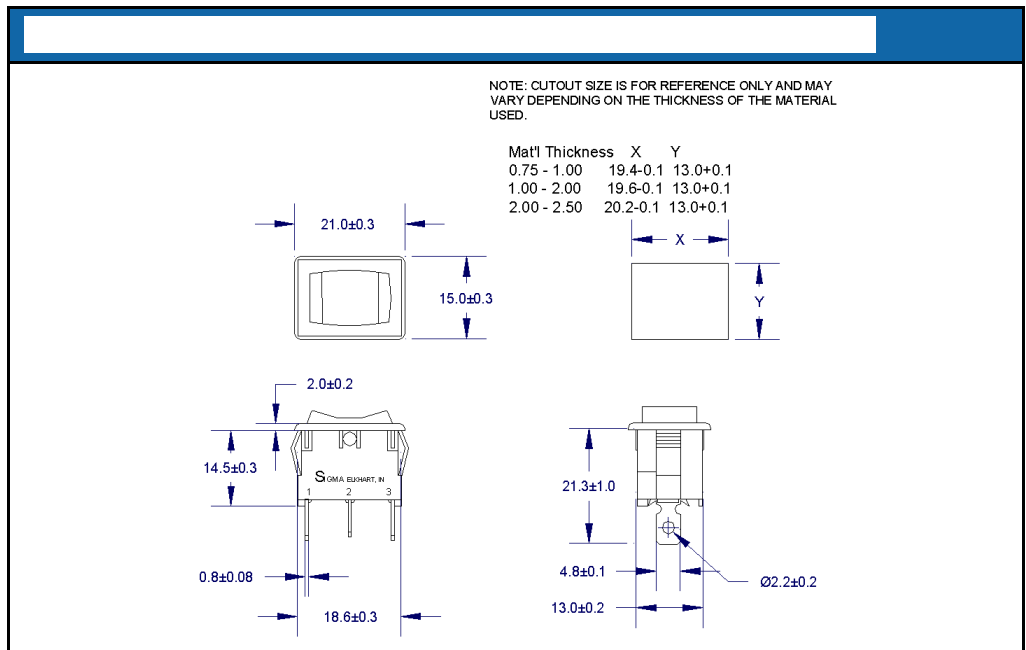


**SIGMA**  
SWITCHES PLUS

2F = SPDT mom-on/off/mom-on

| <ul style="list-style-type: none"> <li>Self cleaning contacts</li> <li>Custom colors &amp; printing available upon request</li> <li>Crisp Detent Action</li> <li>Small Switch-High Current Switching</li> <li>Easy To Terminate With Solderless Connectors</li> <li>Easy self-locking panel mount, no hardware required</li> <li>Optional clear boot fits all 2 Series switches</li> <li>Fully enclosed active switching elements</li> </ul> |  |
|--|--|
|  | <b>CAUTION!</b> Switches marked with a triangle are acceptable for use as power switches provided there is a plug disconnect or a switch with open contact gaps of 3 mm minimum. |
| <p>No hardware or tools needed. Self locks into proper panel cutout 12.9mm (0.508") x 19.2mm (0.756").</p> <p>Acceptable panel thickness range is from .64mm (0.025") to 4.57mm (0.180").</p>  |  |
|  | <b>CAUTION!</b> Burr direction must be away from the direction of insertion  |
| <p>Standard is solderless 4.75mm (0.187") wide x 0.81mm (0.032") thick. Solder terminals are also available.</p>   |  |
| AMPS   | VOLTAGE  |
| 16A  | 125VAC   |
| 10A  | 250VAC   |
| 1/2 HP   | 250VAC   |
| 16A  | 14VDC Peak   |
| <p>UL, CUL, CSA, VDE, RoHS compliant</p>   |  |

| Part No. | Circuit                | Special Markings | BLK | WHT | RED | BLU | GRN | AMB | BRN | IVY |
|----------|------------------------|------------------|-----|-----|-----|-----|-----|-----|-----|-----|
| F6-12    | SPDT mom-on/off/mom-on |                  | O   |     |     |     |     |     |     |     |



**SIGMA**  
SWITCHES PLUS

4703 Wyland Dr.  
Elkhart, IN 46516  
Ph: 574-294-5776  
Fax: 574-294-8744

www.sigmaswitches.com

We are constantly adding-to and improving our selection of Rocker, Toggle, Push Button and other types of switches. If you do not find what you need here, or on other pages of our web site, please do not hesitate to contact us. If your need is custom, we would like to discuss your unique design requirements as well.

*Thank you for giving us the opportunity to fulfill Your switching needs!*