



FEATURES

- Designed to meet or exceed IP55
- Choice of Colors and Markings
- Crisp detent action



*Switches marked **■** are acceptable for use as power switches provided there is a plug disconnect or a switch with open contact gaps of 3 mm minimum.

MOUNTING

MATERIAL	X	Y
.75 - 1.25	37.3+0.1	21.2-0.1
1.25 - 2.0	37.5+0.1	21.2-0.1
2.0 - 3.0	37.9+0.1	21.2-0.1

No hardware or tools needed, self locks into proper panel cutout .835" (21.2 mm) x 1.468 to 1.492" (37.3 to 37.9 mm).

Acceptable panel thickness range is from .030" (.75 mm) to .118" (3.00 mm).



CAUTION! Burr direction must be away from the direction of insertion.

TERMINATION

Standard is solderless .250" (6.35 mm) wide x .032" (.81 mm) thick.

Solder terminals & screw terminals are also available.

AMPS VOLTAGE

16 A.	125VAC (CSA)
15 A.	125VAC (UL)
10 A.	250VAC
3/4 H.P.	250VAC
16 A.	12VDC

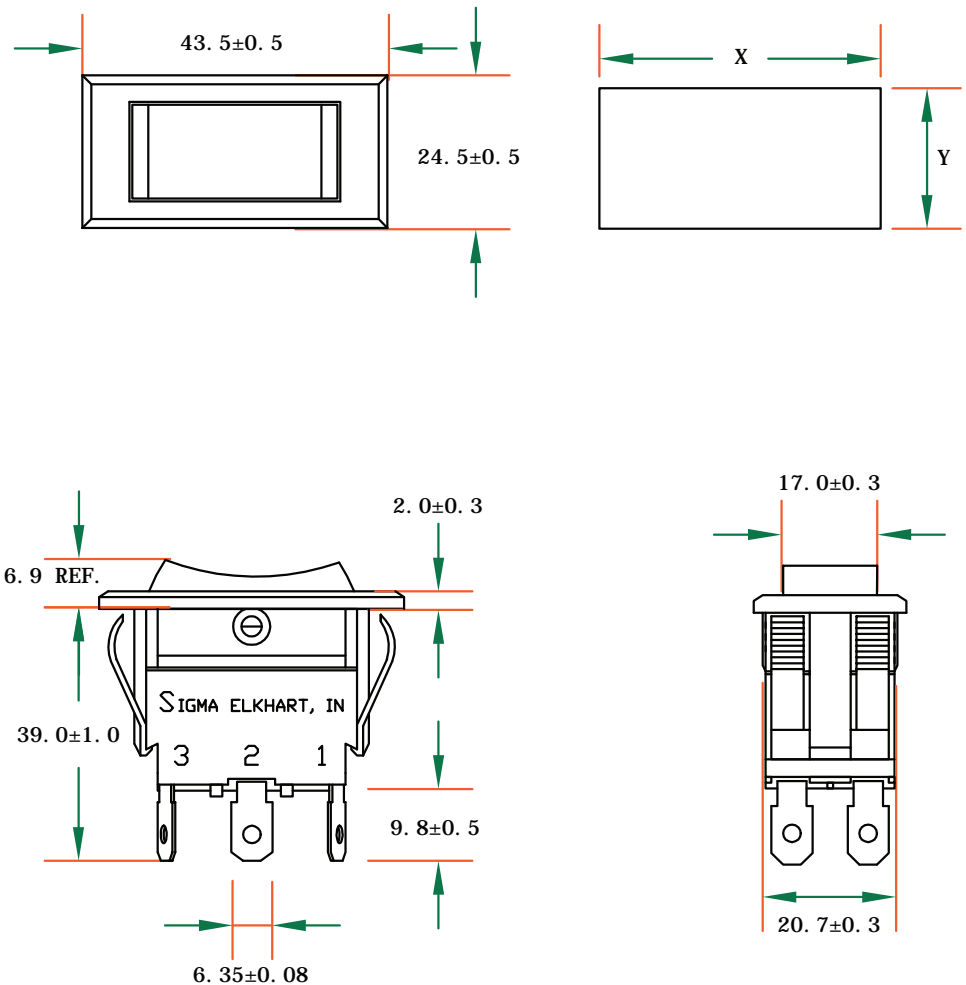
APPROVALS

UL, CUL, CSA, IP55, RoHS compliant

SWITCH SELECTION CHART

Part No.	Circuit	Special Markings	Black	White	Red	Blue	Green	Amber
129S-15	DPDT mom-on/off/mom-on		●					
129S-15X	DPDT mom-on/off/mom-on	Reverse Polarity Terminals	●					

129 SERIES (129S-15 Shown for reference purposes)



SIGMA
SWITCHES PLUS
4703 Wyland Dr.
Elkhart, IN 46516
Tel: 574-294-5776
Fax: 574-294-8744

www.sigmaswitches.com

OUR COMMITMENT TO YOU

We are constantly adding to and improving our selection of Rocker, Toggle, Push Button and other types of switches. If you don't find it here, or on the pages of our website, feel free to contact us for the most current information. If you need a specially designed custom switch, we can discuss your custom design requirements as well. We look forward to helping you with your next switch purchase.