



### FEATURES

- Designed to meet or exceed IP55
- Choice of Colors and Markings
- Crisp detent action



\*Switches marked **⏏** are acceptable for use as power switches provided there is a plug disconnect or a switch with open contact gaps of 3 mm minimum.

### MOUNTING

| MATERIAL   | X        | Y        |
|------------|----------|----------|
| .75 - 1.25 | 37.3+0.1 | 21.2-0.1 |
| 1.25 - 2.0 | 37.5+0.1 | 21.2-0.1 |
| 2.0 - 3.0  | 37.9+0.1 | 21.2-0.1 |

No hardware or tools needed, self locks into proper panel cutout .835" (21.2 mm) x 1.468 to 1.492" (37.3 to 37.9 mm).

Acceptable panel thickness range is from .030" (.75 mm) to .118" (3.00 mm).



CAUTION! Burr direction must be away from the direction of insertion.

### TERMINATION

Standard is solderless .250" (6.35 mm) wide x .032" (.81 mm) thick.

Solder terminals & screw terminals are also available.

| AMPS     | VOLTAGE      |
|----------|--------------|
| 10A      | 125VAC (CSA) |
| 15A      | 125VAC (UL)  |
| 10A      | 250VAC       |
| 3/4 H.P. | 250VAC       |
| 10A      | 24VDC        |
| 20A      | 12VDC        |

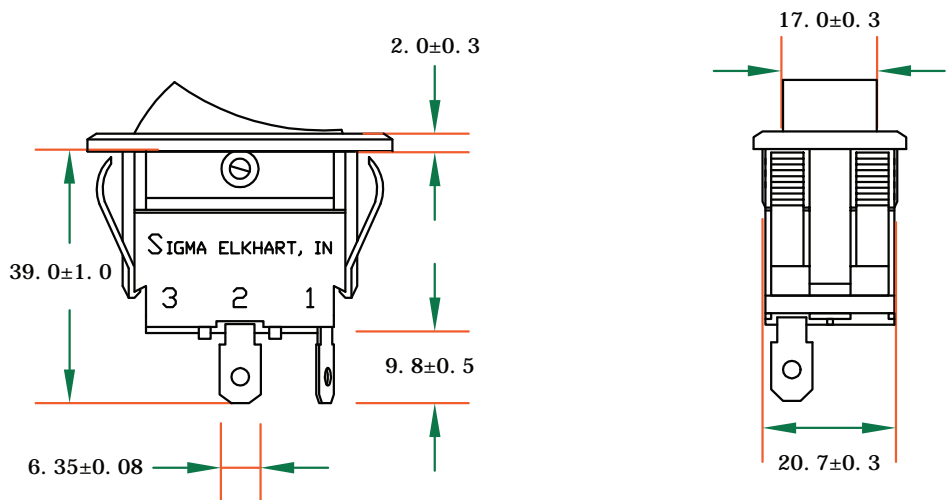
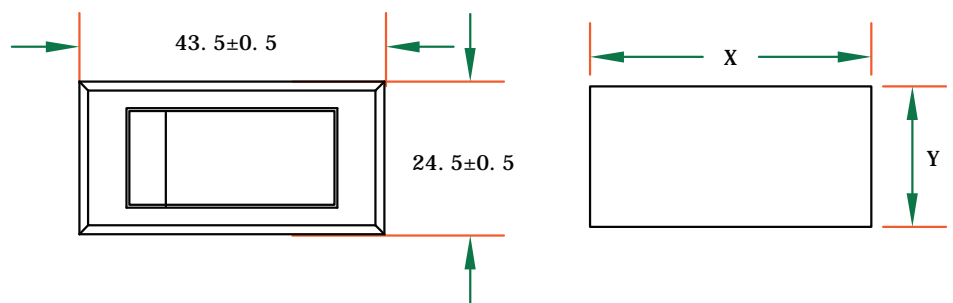
### APPROVALS

UL, CUL, CSA, IP55, RoHS compliant

### SWITCH SELECTION CHART

| Part No. | Circuit         | Special Markings | Black | White | Red | Blue | Green | Amber |
|----------|-----------------|------------------|-------|-------|-----|------|-------|-------|
| 129G-11  | SPST mom-on/off |                  | ●     |       |     |      |       |       |

### 129 SERIES (129G-11 Shown for reference purposes)



**SIGMA**  
SWITCHES PLUS  
4703 Wyland Dr.  
Elkhart, IN 46516  
Tel: 574-294-5776  
Fax: 574-294-8744

www.sigmaswitches.com

### OUR COMMITMENT TO YOU

We are constantly adding to and improving our selection of Rocker, Toggle, Push Button and other types of switches. If you don't find it here, or on the pages of our website, feel free to contact us for the most current information. If you need a specially designed custom switch, we can discuss your custom design requirements as well. We look forward to helping you with your next switch purchase.