



FEATURES

- Choice of Colors and Markings
- Bright Incandescent, Neon or LED lights
- Optional clear boot fits all 112 Series switches
- Metal plunger withstands high temperature
- Crisp detent action



*Switches marked **PU** are acceptable for use as power switches provided there is a plug disconnect or a switch with open contact gaps of 3 mm minimum.

MOUNTING

No hardware or tools needed, self locks into proper panel cutout $\varnothing .795"$ (20.2 mm).

Acceptable panel thickness range is from $.030"$ (.75 mm) to $.118"$ (3.00 mm).



CAUTION! Burr direction must be away from the direction of insertion.

TERMINATION

Standard is solderless $.187"$ (4.75 mm) wide x $.032"$ (.81 mm) thick.

AMPS	VOLTAGE
16A	125VAC
10A	250VAC

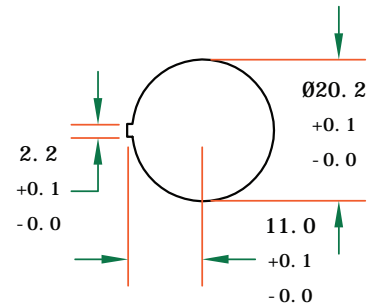
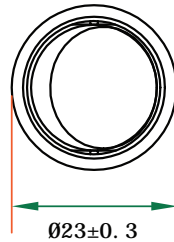
APPROVALS

UL, CUL

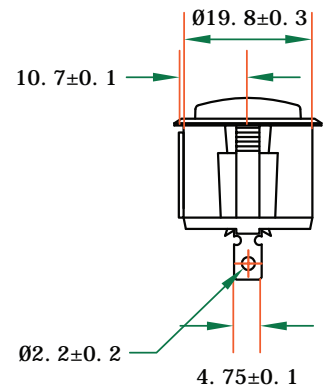
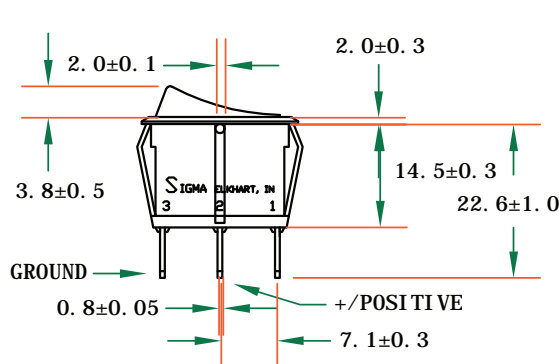
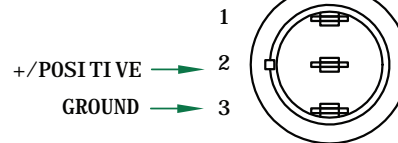
SWITCH SELECTION CHART

Part No.	Circuit	Voltage	Special Markings	Black	White	Red	Blue	Green	Amber
112GA-21	SPST mom-on/off	125 V	Dependent Neon	●		●			
112GA-23	SPST mom-on/off	14 V	Dependent LED	●		●			
112GA-27	SPST mom-on/off	125 V	Dependent Neon	●					●
112GA-28	SPST mom-on/off	125 V	Dependent Neon	●				●	
112GA-37	SPST mom-on/off	14 V	Dependent LED	●					●
112GA-38	SPST mom-on/off	14 V	Dependent LED	●				●	
112GA-63	SPST mom-on/off	14 V	Independent LED	●		●			
112GA-68	SPST mom-on/off	14 V	Independent LED	●				●	
112GA-69	SPST mom-on/off	14 V	Independent LED	●					●

112 SERIES (112GA-63 Shown for reference purposes)



Bottom View



SIGMA
SWITCHES PLUS
4703 Wyland Dr.
Elkhart, IN 46516
Tel: 574-294-5776
Fax: 574-294-8744

www.sigmaswitches.com

OUR COMMITMENT TO YOU

We are constantly adding to and improving our selection of Rocker, Toggle, Push Button and other types of switches. If you don't find it here, or on the pages of our website, feel free to contact us for the most current information. If you need a specially designed custom switch, we can discuss your custom design requirements as well. We look forward to helping you with your next switch purchase.