



**SIGMA**  
SWITCHES PLUS

## 2 SERIES HEAVY DUTY ROCKER SWITCHES

### FEATURES

- Self cleaning contacts
- Custom colors & printing available upon request
- Heavy-duty switching
- Light, yet positive detent action virtually tease-proof.
- Easy self-locking panel mount hardware required
- Optional clear boot fits all 2 Series switches
- Fully enclosed active switching elements
- Bright neon or LED clearly indicates ON position

### SWITCH SELECTION CHART

Part No.	Circuit	Illuminated Voltage	Special Markings	BLK	WHT	RED	BLU	GRN	AMB	BRN	IVY
<a href="#">2A-24-B</a>	Illum SPST on/off	12VDC	Transparent Rocker	○	○						
<a href="#">2A-25-B</a>	Illum SPST on/off	12VDC	Transparent Rocker	○			○				
<a href="#">20A-23</a>	Illum SPST on/off	14V LED	Transparent Rocker	○		○					
<a href="#">20A-25</a>	Illum SPST on/off	14V LED	Transparent Rocker	○			○				
<a href="#">20A-38</a>	Illum SPST on/off	14V LED	Transparent Rocker	○				○			
<a href="#">22A-39</a>	Illum SPST on/off	125 VAC	Transparent Rocker	○				○			
<a href="#">2B-18</a>	SPST on/off		"ON OFF" "I O" "- O"	○							
<a href="#">2B-19</a>	SPST on/off		"ON OFF" "I O" "- O"	○		○					
<a href="#">2B-56</a>	SPST on/off		:ON OFF" "I O" "- O"		○						
<a href="#">2C-26</a>	SPDT on/on			○							
<a href="#">2D-27</a>	SPDT on/off/on			○							
<a href="#">2E-41</a>	DPST on/on			○							
<a href="#">F6-12</a>	DPDT (on)off(on)			○							
<a href="#">2G-11</a>	SPST (on)off			○							
<a href="#">2G-81</a>	SPST (on)off			○							
<a href="#">2H-28</a>	DPST on/off			○							
<a href="#">2I-15</a>	DPST (on)off			○							
<a href="#">2J-15</a>	DPST (on)on			○							
<a href="#">2K-15</a>	DPST on(off)			○							
<a href="#">166L-10</a>	SPST on(off)			○							
<a href="#">2N-13</a>	SPDT on/off(on)			○							
<a href="#">2P-61</a>	DPDT on/off/on			○							
<a href="#">2Q-26</a>	SPDT (on)off			○							
<a href="#">2R-15</a>	DPDT on/off(on)			○							
<a href="#">2S-67</a>	DPDT (on)off(on)			○							
<a href="#">2U-15</a>	Switch Blank/Filler			○							
<a href="#">Z6-02</a>	14V Indicator Light	14V LED		○			○				
<a href="#">Z6-03</a>	14V Indicator Light	14V LED		○		○					
<a href="#">Z6-04</a>	14V Indicator Light	14V LED		○					○		
<a href="#">Z6-05</a>	14V Indicator Light	14V LED		○				○			



**SIGMA**  
SWITCHES PLUS

4703 Wyland Dr.  
Elkhart, IN 46516

Ph: 574-294-5776

Fax: 574-294-8744

[www.sigmaswitches.com](http://www.sigmaswitches.com)

### OUR COMMITMENT TO YOU

We are constantly adding-to and improving our selection of Rocker, Toggle, Push Button and other types of switches. If you do not find what you need here, or on other pages of our web site, please do not hesitate to contact us. If your need is custom, we would like to discuss your unique design requirements as well.

*Thank you for giving us the opportunity to fulfill Your switching needs!*



**SIGMA**  
SWITCHES PLUS

## 2 SERIES HEAVY DUTY ROCKER SWITCHES

### MOUNTING

No hardware or tools needed. Self locks into proper panel cutout .508" (12.90 mm) x .756" (19.20 mm).

Acceptable panel thickness range is from .025" (.64 mm) to .180" (4.57 mm).



**CAUTION!** Burr direction must be away from the direction of insertion

### TERMINATION

Standard is solderless .187" (4.75 mm) wide x .032" (.81 mm) thick.

### ELECTRICAL RATING

SEE INDIVIDUAL DATA SHEETS FOR EXACT RATINGS

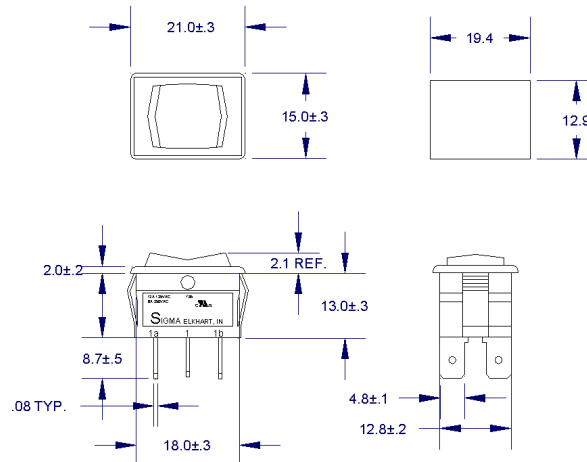
AMPS	VOLTAGE
GP 10A	125VAC
GP 10A	250VAC
GP 6A	277VAC
1/2 HP	250VAC
10A	14V Tung.
20A	14VDC Peak

### APPROVALS

UL, CUL, CSA, RoHS compliant

### 2 SERIES DRAWING (2S-67-NB SHOWN FOR REFERENCE PURPOSE ONLY)

NOTE: CUTOUT SIZE IS FOR REFERENCE ONLY AND MAY VARY DEPENDING ON THE THICKNESS OF THE MATERIAL USED.



**SIGMA**  
SWITCHES PLUS

4703 Wyland Dr.  
Elkhart, IN 46516

Ph: 574-294-5776

Fax: 574-294-8744

[www.sigmaswitches.com](http://www.sigmaswitches.com)

### OUR COMMITMENT TO YOU

We are constantly adding-to and improving our selection of Rocker, Toggle, Push Button and other types of switches. If you do not find what you need here, or on other pages of our web site, please do not hesitate to contact us. If your need is custom, we would like to discuss your unique design requirements as well.

*Thank you for giving us the opportunity to fulfill Your switching needs!*