



WWW.SIGMASWITCHES.COM

SERIES 201

**ORDER DESK TOLL FREE
(800) 488-9505**



**SIGMA
SWITCHES PLUS**

4703 WYLAND DRIVE • ELKHART • IN • 46516 • 574-294-5776 • FAX 574-294-8744

WWW.SIGMASWITCHES.COM



SIGMA
SWITCHES PLUS

201 SERIES

201B = SPST on/off

FEATURES

- Custom colors and printing upon request.
- Optional clear boot fits all 201 series switches
- Metal plunger withstands high temperature.
- Active switch elements enclosed and protected.
- Easy to terminate with solderless connectors.
- Snap-in and self-locking panel mount

SWITCH SELECTION CHART

Part No.	Circuit	Special Markings	Black	White	Red	Blue	Green	Amber	Brown	Ivory
201B-18	SPST on/off		●							
201B-18-250S	SPST on/off	"- O" Print	●							
201B-18-315S	SPST on/off	"On Off" Print	●							
201B-56	SPST on/off		○							

MOUNTING

No hardware or tools needed, self locks into proper panel cutout .886" x 1.181 (22.5 mm x 30.0 mm).

NOTE: CUTOUT SIZE is for REFERENCE ONLY and may vary depending on the thickness of material used.

Acceptable panel thickness range is from .039" (1.0 mm) to .118" (3.0 mm)



CAUTION! Burr direction must be away from the direction of insertion.

TERMINATION

Standard is solderless .250" wide x .032" thick (6.35 mm x .81 mm)

.187" (4.75 mm) terminals are also available.

ELECTRICAL RATING*

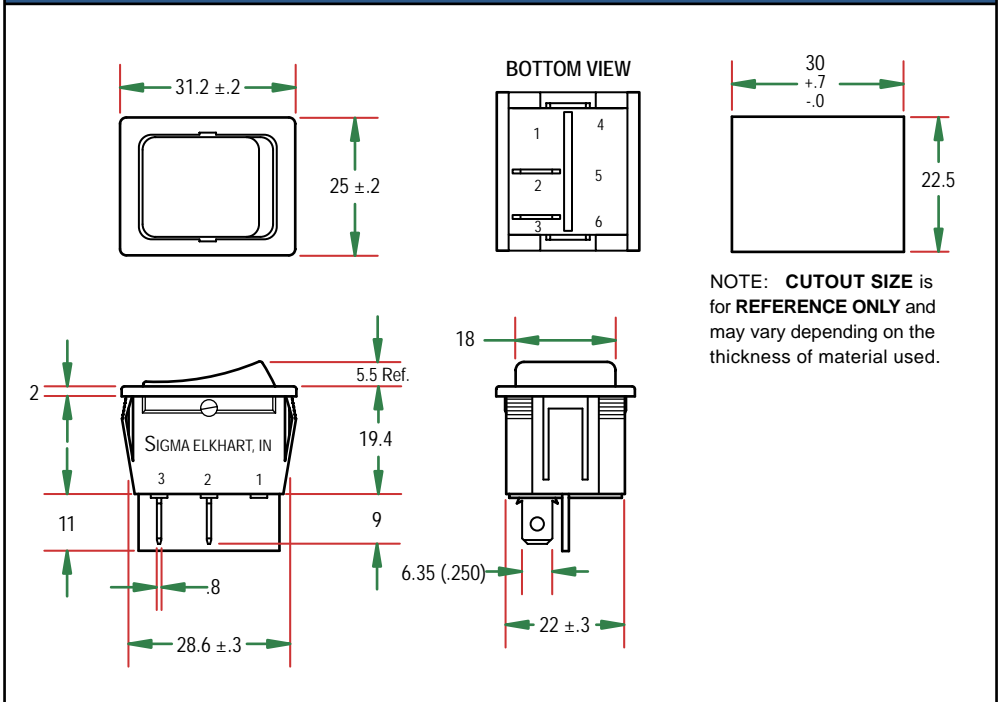
AMPS	VOLTAGE
20A	125VAC
15A	250VAC
40A Peak / 20A Continuous	12 VDC Factory Rating

* All ratings based on load per pole, opposite polarity.

APPROVALS

UL, CUL, RoHS compliant

201 SERIES (201B-18 shown for reference only)



OUR COMMITMENT TO YOU

We are constantly adding-to and improving our selection of Rocker, Toggle, Push Button and other types of switches. If you do not find what you need here, or on other pages of our web site, please do not hesitate to contact us. If your need is custom, we would like to discuss your unique design requirements as well.

Thank you for giving us the opportunity to fulfill Your switching needs!

ORDER / HELP Desk... Call Toll Free 800-488-9505!



SIGMA
SWITCHES PLUS

4703 Wyland Dr. • Elkhart IN • 46516 • 574-294-5776 • Fax 574-294-8744

www.sigmaswitches.com



SIGMA
SWITCHES PLUS

201 SERIES

201C = SPDT on/on

FEATURES

- Custom colors and printing upon request.
- Optional clear boot fits all 201 series switches
- Metal plunger withstands high temperature.
- Active switch elements enclosed and protected.
- Easy to terminate with solderless connectors.
- Snap-in and self-locking panel mount

SWITCH SELECTION CHART

Part No.	Circuit	Special Markings	Black	White	Red	Blue	Green	Amber	Brown	Ivory
201C-26	SPDT on/on		●							

MOUNTING

No hardware or tools needed, self locks into proper panel cutout .886" x 1.181 (22.5 mm x 30.0 mm).

NOTE: CUTOUT SIZE is for REFERENCE ONLY and may vary depending on the thickness of material used.

Acceptable panel thickness range is from .039" (1.0 mm) to .118" (3.0 mm)



CAUTION! Burr direction must be away from the direction of insertion.

TERMINATION

Standard is solderless .250" wide x .032" thick (6.35 mm x .81 mm).

.187" (4.75 mm) terminals are also available.

ELECTRICAL RATING*

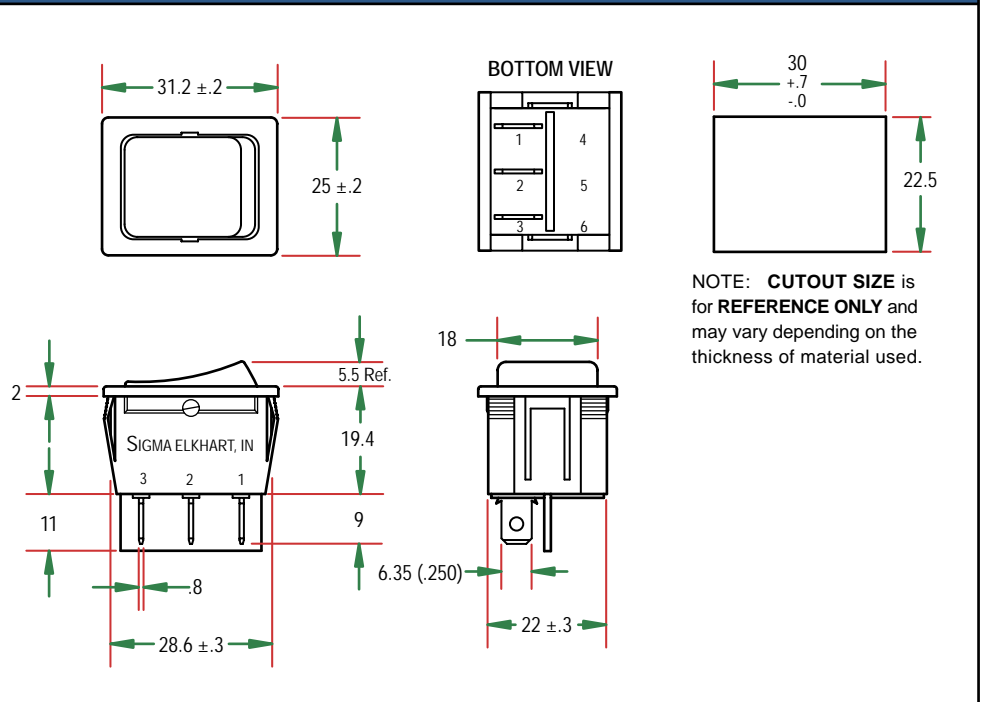
AMPS	VOLTAGE
20A	125VAC
15A	250VAC
40A Peak / 20A Continuous	12 VDC Factory Rating

* All ratings based on load per pole, opposite polarity.

APPROVALS

UL, CUL, RoHS compliant

201 SERIES (201C shown for reference only)



OUR COMMITMENT TO YOU

We are constantly adding-to and improving our selection of Rocker, Toggle, Push Button and other types of switches. If you do not find what you need here, or on other pages of our web site, please do not hesitate to contact us. If your need is custom, we would like to discuss your unique design requirements as well.

Thank you for giving us the opportunity to fulfill Your switching needs!

ORDER / HELP Desk... Call Toll Free 800-488-9505!



SIGMA
SWITCHES PLUS

4703 Wyland Dr. • Elkhart IN • 46516 • 574-294-5776 • Fax 574-294-8744

www.sigmaswitches.com



SIGMA
SWITCHES PLUS

201 SERIES

201D = SPDT on/off/on

FEATURES

- Custom colors and printing upon request.
- Optional clear boot fits all 201 series switches
- Metal plunger withstands high temperature.
- Active switch elements enclosed and protected.
- Easy to terminate with solderless connectors.
- Snap-in and self-locking panel mount

SWITCH SELECTION CHART

Part No.	Circuit	Special Markings	Black	White	Red	Blue	Green	Amber	Brown	Ivory
201D-27	SPDT on/off/on		●							
201D-27-146S	SPDT on/off/on	"HI OFF LOW" Print	●							

MOUNTING

No hardware or tools needed, self locks into proper panel cutout .886" x 1.181 (22.5 mm x 30.0 mm).

NOTE: CUTOUT SIZE is for REFERENCE ONLY and may vary depending on the thickness of material used.

Acceptable panel thickness range is from .039" (1.0 mm) to .118" (3.0 mm)



CAUTION! Burr direction must be away from the direction of insertion.

TERMINATION

Standard is solderless .250" wide x .032" thick (6.35 mm x .81 mm).

.187" (4.75 mm) terminals are also available.

ELECTRICAL RATING*

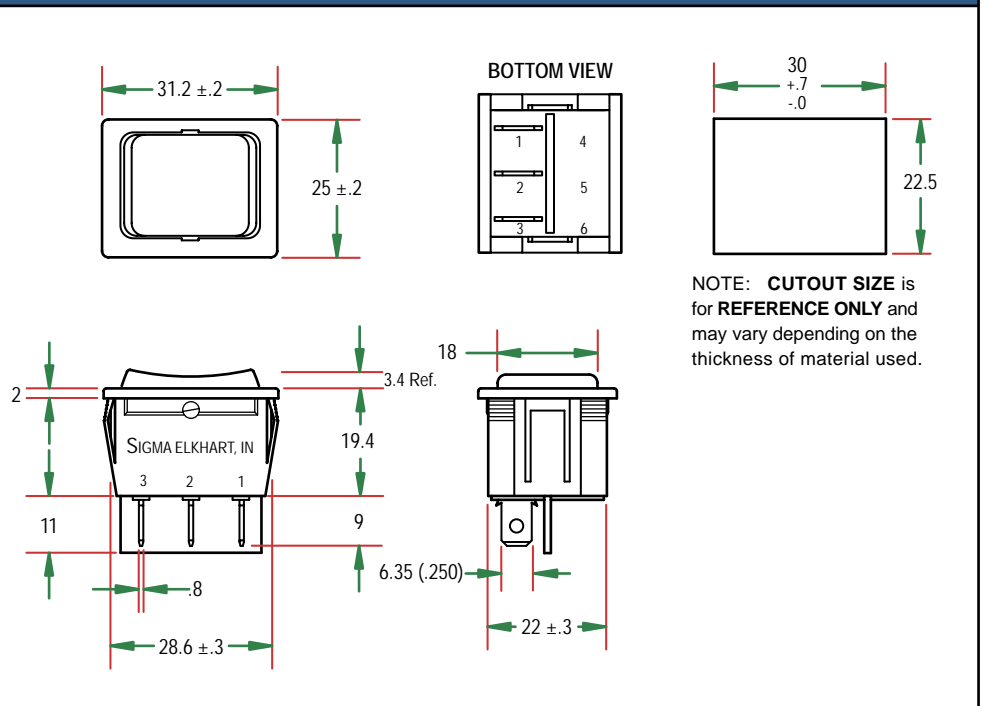
AMPS	VOLTAGE
20A	125VAC
15A	250VAC
40A Peak / 20A Continuous	12 VDC Factory Rating

* All ratings based on load per pole, opposite polarity.

APPROVALS

UL, CUL, RoHS compliant

201 SERIES (201D shown for reference only)



NOTE: CUTOUT SIZE is for REFERENCE ONLY and may vary depending on the thickness of material used.

OUR COMMITMENT TO YOU

We are constantly adding-to and improving our selection of Rocker, Toggle, Push Button and other types of switches. If you do not find what you need here, or on other pages of our web site, please do not hesitate to contact us. If your need is custom, we would like to discuss your unique design requirements as well.

Thank you for giving us the opportunity to fulfill Your switching needs!

ORDER / HELP Desk... Call Toll Free 800-488-9505!



SIGMA
SWITCHES PLUS

4703 Wyland Dr. • Elkhart IN • 46516 • 574-294-5776 • Fax 574-294-8744

www.sigmaswitches.com



SIGMA
SWITCHES PLUS

201 SERIES

201E = DPDT on/on

FEATURES

- Custom colors and printing upon request.
- Optional clear boot fits all 201 series switches
- Metal plunger withstands high temperature.
- Active switch elements enclosed and protected.
- Easy to terminate with solderless connectors.
- Snap-in and self-locking panel mount

SWITCH SELECTION CHART

Part No.	Circuit	Special Markings	Black	White	Red	Blue	Green	Amber	Brown	Ivory
201E-26	DPDT on/on		●							
201E-53	DPDT on/on								●	
201E-86	DPDT on/on									●

MOUNTING

No hardware or tools needed, self locks into proper panel cutout .886" x 1.181 (22.5 mm x 30.0 mm).

NOTE: CUTOUT SIZE is for REFERENCE ONLY and may vary depending on the thickness of material used.

Acceptable panel thickness range is from .039" (1.0 mm) to .118" (3.0 mm)



CAUTION! Burr direction must be away from the direction of insertion.

TERMINATION

Standard is solderless .250" wide x .032" thick (6.35 mm x .81 mm).

.187" (4.75 mm) terminals are also available.

ELECTRICAL RATING*

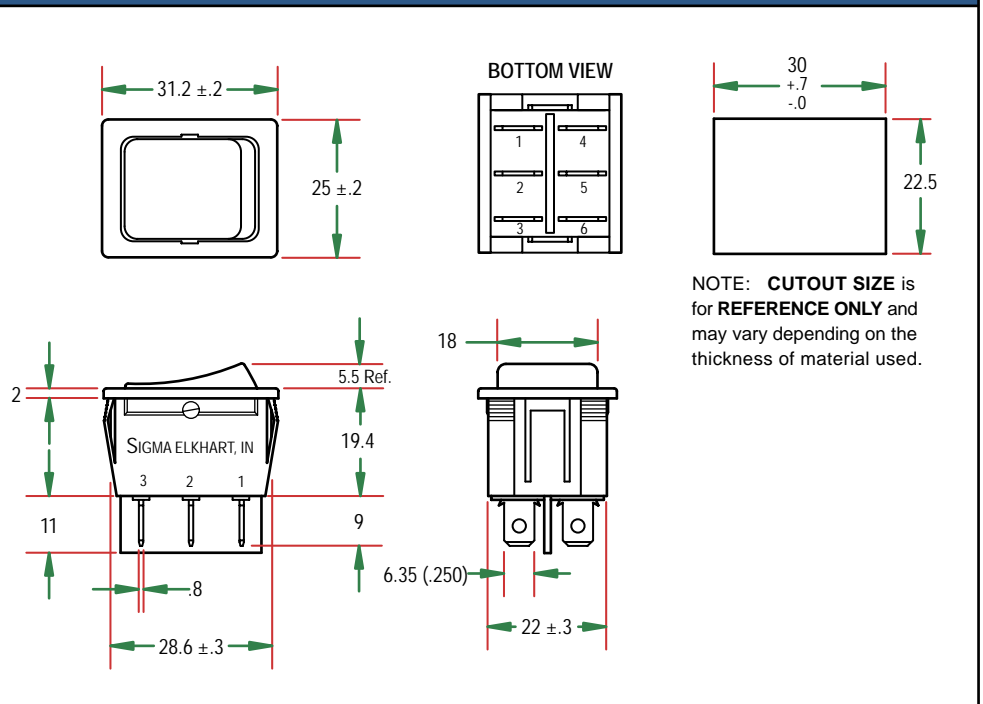
AMPS	VOLTAGE
20A	125VAC
15A	250VAC
40A Peak / 20A Continuous	12 VDC Factory Rating

* All ratings based on load per pole, opposite polarity.

APPROVALS

UL, CUL, RoHS compliant

201 SERIES (201E shown for reference only)



OUR COMMITMENT TO YOU

We are constantly adding-to and improving our selection of Rocker, Toggle, Push Button and other types of switches. If you do not find what you need here, or on other pages of our web site, please do not hesitate to contact us. If your need is custom, we would like to discuss your unique design requirements as well.

Thank you for giving us the opportunity to fulfill Your switching needs!

ORDER / HELP Desk... Call Toll Free 800-488-9505!



SIGMA
SWITCHES PLUS

4703 Wyland Dr. • Elkhart IN • 46516 • 574-294-5776 • Fax 574-294-8744

www.sigmaswitches.com



SIGMA
SWITCHES PLUS

201 SERIES

201F = SPDT mom-on/off/mom-on

FEATURES

- Custom colors and printing upon request.
- Optional clear boot fits all 201 series switches
- Metal plunger withstands high temperature.
- Active switch elements enclosed and protected.
- Easy to terminate with solderless connectors.
- Snap-in and self-locking panel mount

SWITCH SELECTION CHART

Part No.	Circuit	Special Markings	Black	White	Red	Blue	Green	Amber	Brown	Ivory
201F-12	SPDT mom-on/off/mom-on		●							
201F-22	SPDT mom-on/off/mom-on								●	
201F-89	SPDT mom-on/off/mom-on									●
201F-93	SPDT mom-on/off/mom-on		○							

MOUNTING

No hardware or tools needed, self locks into proper panel cutout .886" x 1.181 (22.5 mm x 30.0 mm).

NOTE: CUTOUT SIZE is for REFERENCE ONLY and may vary depending on the thickness of material used.

Acceptable panel thickness range is from .039" (1.0 mm) to .118" (3.0 mm)



CAUTION! Burr direction must be away from the direction of insertion.

TERMINATION

Standard is solderless .250" wide x .032" thick (6.35 mm x .81 mm).

.187" (4.75 mm) terminals are also available.

ELECTRICAL RATING*

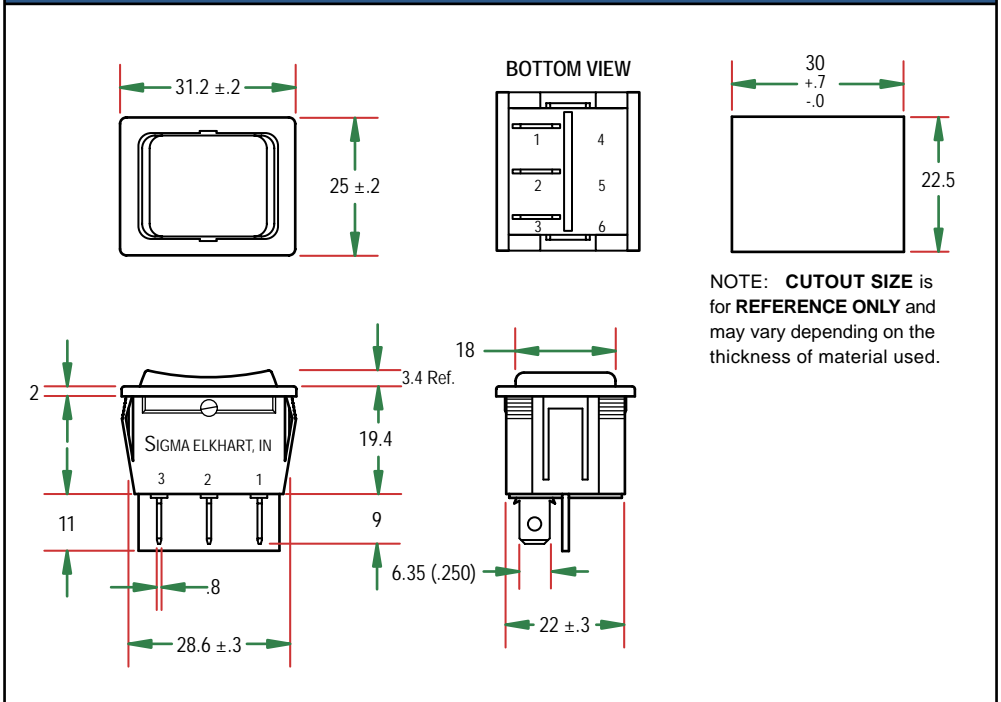
AMPS	VOLTAGE
20A	125VAC
15A	250VAC
40A Peak / 20A Continuous	12 VDC Factory Rating

* All ratings based on load per pole, opposite polarity.

APPROVALS

UL, CUL, RoHS compliant

201 SERIES (201F shown for reference only)



OUR COMMITMENT TO YOU

We are constantly adding-to and improving our selection of Rocker, Toggle, Push Button and other types of switches. If you do not find what you need here, or on other pages of our web site, please do not hesitate to contact us. If your need is custom, we would like to discuss your unique design requirements as well.

Thank you for giving us the opportunity to fulfill Your switching needs!

ORDER / HELP Desk... Call Toll Free 800-488-9505!



SIGMA
SWITCHES PLUS

4703 Wyland Dr. • Elkhart IN • 46516 • 574-294-5776 • Fax 574-294-8744

www.sigmaswitches.com



SIGMA
SWITCHES PLUS

201 SERIES

201G = SPST mom-on/off

FEATURES

- Custom colors and printing upon request.
- Optional clear boot fits all 201 series switches
- Metal plunger withstands high temperature.
- Active switch elements enclosed and protected.
- Easy to terminate with solderless connectors.
- Snap-in and self-locking panel mount

SWITCH SELECTION CHART

Part No.	Circuit	Special Markings	Black	White	Red	Blue	Green	Amber	Brown	Ivory
201G-11	SPST mom-on/off		●							

MOUNTING

No hardware or tools needed, self locks into proper panel cutout .886" x 1.181 (22.5 mm x 30.0 mm).

NOTE: CUTOUT SIZE is for REFERENCE ONLY and may vary depending on the thickness of material used.

Acceptable panel thickness range is from .039" (1.0 mm) to .118" (3.0 mm)



CAUTION! Burr direction must be away from the direction of insertion.

TERMINATION

Standard is solderless .250" wide x .032" thick (6.35 mm x .81 mm).

.187" (4.75 mm) terminals are also available.

ELECTRICAL RATING*

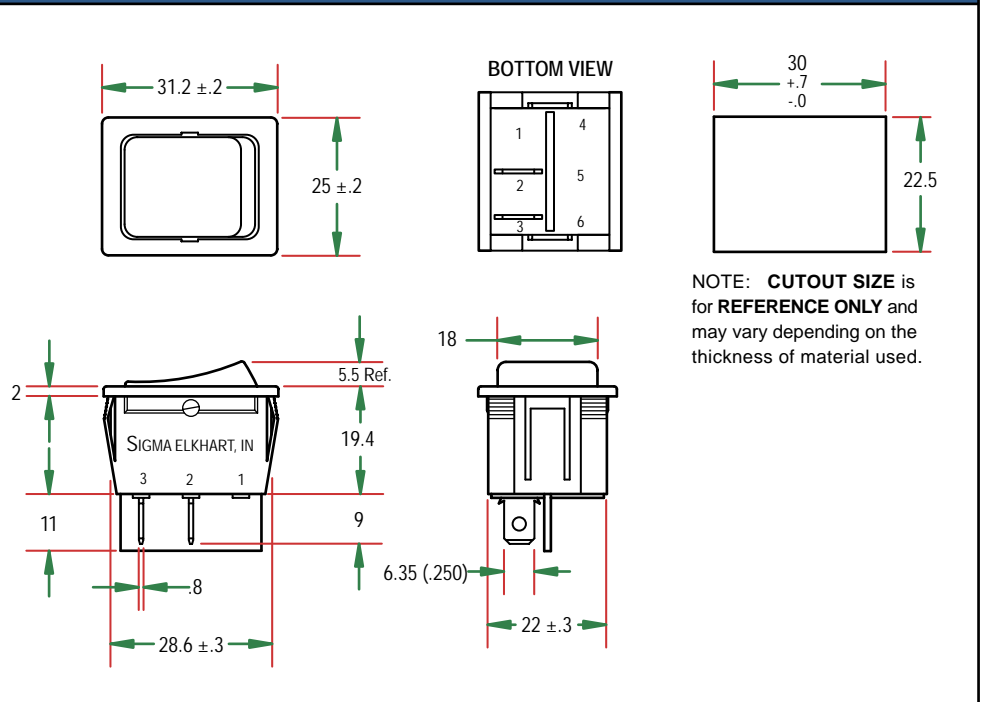
AMPS	VOLTAGE
20A	125VAC
15A	250VAC
40A Peak / 20A Continuous	12 VDC Factory Rating

* All ratings based on load per pole, opposite polarity.

APPROVALS

UL, CUL, RoHS compliant

201 SERIES (201G-11 shown for reference only)



OUR COMMITMENT TO YOU

We are constantly adding-to and improving our selection of Rocker, Toggle, Push Button and other types of switches. If you do not find what you need here, or on other pages of our web site, please do not hesitate to contact us. If your need is custom, we would like to discuss your unique design requirements as well.

Thank you for giving us the opportunity to fulfill Your switching needs!

ORDER / HELP Desk... Call Toll Free 800-488-9505!



SIGMA
SWITCHES PLUS

4703 Wyland Dr. • Elkhart IN • 46516 • 574-294-5776 • Fax 574-294-8744

www.sigmaswitches.com



SIGMA
SWITCHES PLUS

201 SERIES

201H = DPST on/off

FEATURES

- Custom colors and printing upon request.
- Optional clear boot fits all 201 series switches
- Metal plunger withstands high temperature.
- Active switch elements enclosed and protected.
- Easy to terminate with solderless connectors.
- Snap-in and self-locking panel mount

SWITCH SELECTION CHART

Part No.	Circuit	Special Markings	Black	White	Red	Blue	Green	Amber	Brown	Ivory
201H-28	DPST on/off		●							
201H-250S	DPST on/on	"- O" Print	●							
201H-315S	DPST on/on	"On Off" Print	●							

MOUNTING

No hardware or tools needed, self locks into proper panel cutout .886" x 1.181 (22.5 mm x 30.0 mm).

NOTE: CUTOUT SIZE is for REFERENCE ONLY and may vary depending on the thickness of material used.

Acceptable panel thickness range is from .039" (1.0 mm) to .118" (3.0 mm)

CAUTION! Burr direction must be away from the direction of insertion.

TERMINATION

Standard is solderless .250" wide x .032" thick (6.35 mm x .81 mm).

.187" (4.75 mm) terminals are also available.

ELECTRICAL RATING*

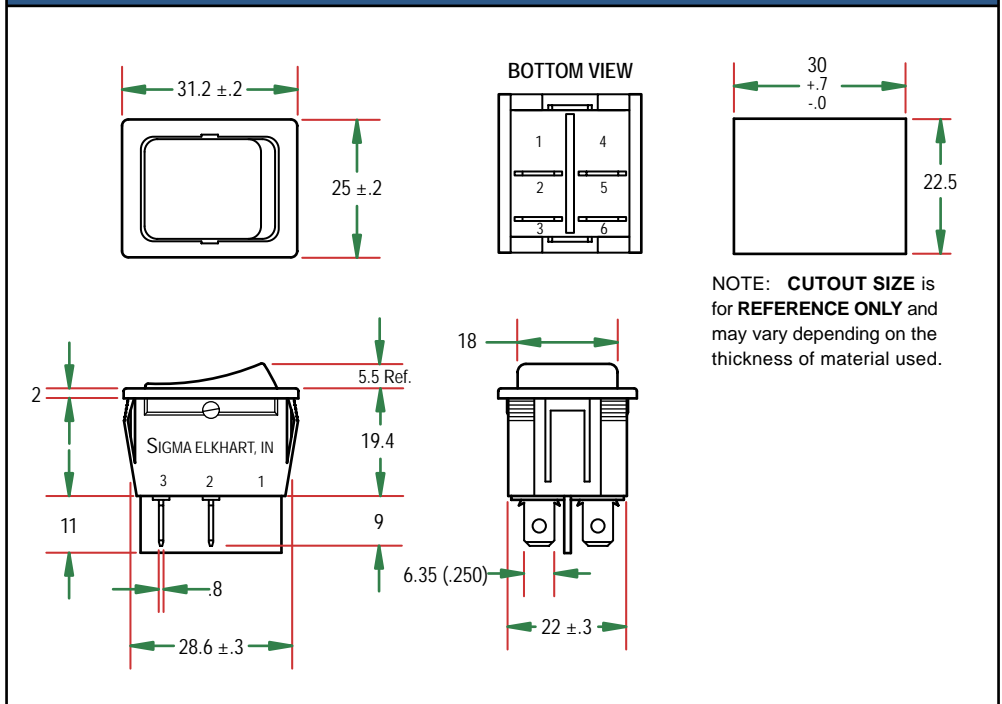
AMPS	VOLTAGE
20A	125VAC
15A	250VAC
40A Peak / 20A Continuous	12 VDC Factory Rating

* All ratings based on load per pole, opposite polarity.

APPROVALS

UL, CUL, RoHS compliant

201 SERIES (201H shown for reference only)



OUR COMMITMENT TO YOU

We are constantly adding-to and improving our selection of Rocker, Toggle, Push Button and other types of switches. If you do not find what you need here, or on other pages of our web site, please do not hesitate to contact us. If your need is custom, we would like to discuss your unique design requirements as well.

Thank you for giving us the opportunity to fulfill Your switching needs!

ORDER / HELP Desk... Call Toll Free 800-488-9505!



SIGMA
SWITCHES PLUS

4703 Wyland Dr. • Elkhart IN • 46516 • 574-294-5776 • Fax 574-294-8744

www.sigmaswitches.com



SIGMA
SWITCHES PLUS

201 SERIES

2011 = DPST mom-on/off

FEATURES

- Custom colors and printing upon request.
- Optional clear boot fits all 201 series switches
- Metal plunger withstands high temperature.
- Active switch elements enclosed and protected.
- Easy to terminate with solderless connectors.
- Snap-in and self-locking panel mount

SWITCH SELECTION CHART

Part No.	Circuit	Special Markings	Black	White	Red	Blue	Green	Amber	Brown	Ivory
2011-15	DPST mom-on/off		●							

MOUNTING

No hardware or tools needed, self locks into proper panel cutout .886" x 1.181 (22.5 mm x 30.0 mm).

NOTE: CUTOUT SIZE is for REFERENCE ONLY and may vary depending on the thickness of material used.

Acceptable panel thickness range is from .039" (1.0 mm) to .118" (3.0 mm)



CAUTION! Burr direction must be away from the direction of insertion.

TERMINATION

Standard is solderless .250" wide x .032" thick (6.35 mm x .81 mm).

.187" (4.75 mm) terminals are also available.

ELECTRICAL RATING*

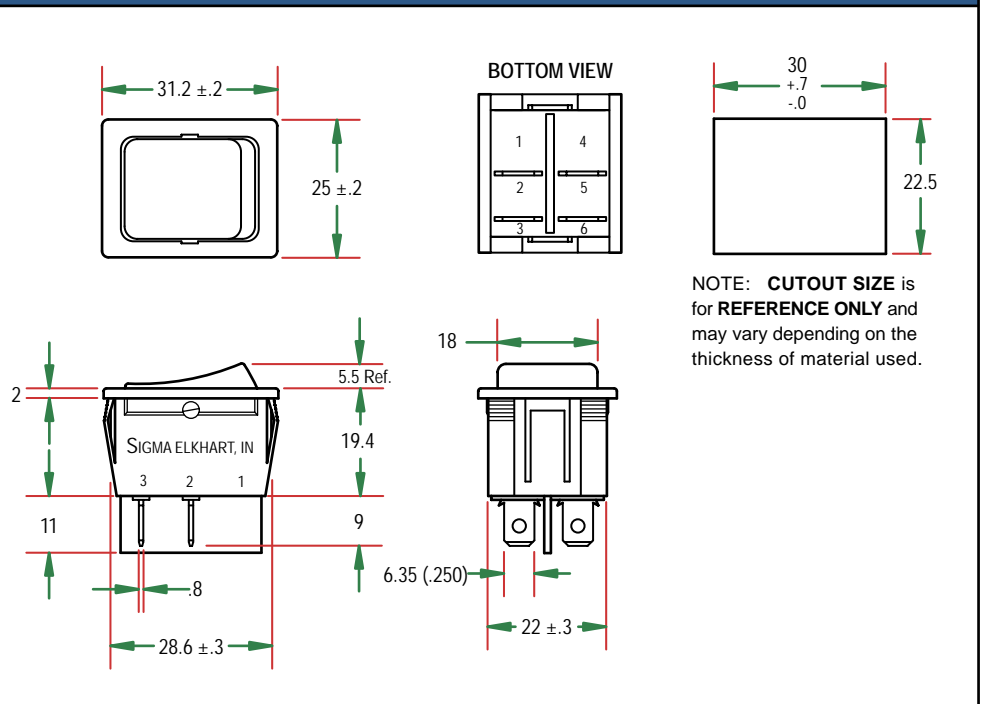
AMPS	VOLTAGE
20A	125VAC
15A	250VAC
40A Peak / 20A Continuous	12 VDC Factory Rating

* All ratings based on load per pole, opposite polarity.

APPROVALS

UL, CUL, RoHS compliant

201 SERIES (2011 shown for reference only)



OUR COMMITMENT TO YOU

We are constantly adding-to and improving our selection of Rocker, Toggle, Push Button and other types of switches. If you do not find what you need here, or on other pages of our web site, please do not hesitate to contact us. If your need is custom, we would like to discuss your unique design requirements as well.

Thank you for giving us the opportunity to fulfill Your switching needs!

ORDER / HELP Desk... Call Toll Free 800-488-9505!



SIGMA
SWITCHES PLUS

4703 Wyland Dr. • Elkhart IN • 46516 • 574-294-5776 • Fax 574-294-8744

www.sigmaswitches.com



SIGMA
SWITCHES PLUS

201 SERIES

201J = DPDT on/mom-on

FEATURES

- Custom colors and printing upon request.
- Optional clear boot fits all 201 series switches
- Metal plunger withstands high temperature.
- Active switch elements enclosed and protected.
- Easy to terminate with solderless connectors.
- Snap-in and self-locking panel mount

SWITCH SELECTION CHART

Part No.	Circuit	Special Markings	Black	White	Red	Blue	Green	Amber	Brown	Ivory
201J-15	DPDT on/mom-on		●							

MOUNTING

No hardware or tools needed, self locks into proper panel cutout .886" x 1.181 (22.5 mm x 30.0 mm).

NOTE: CUTOUT SIZE is for REFERENCE ONLY and may vary depending on the thickness of material used.

Acceptable panel thickness range is from .039" (1.0 mm) to .118" (3.0 mm)



CAUTION! Burr direction must be away from the direction of insertion.

TERMINATION

Standard is solderless .250" wide x .032" thick (6.35 mm x .81 mm).

.187" (4.75 mm) terminals are also available.

ELECTRICAL RATING*

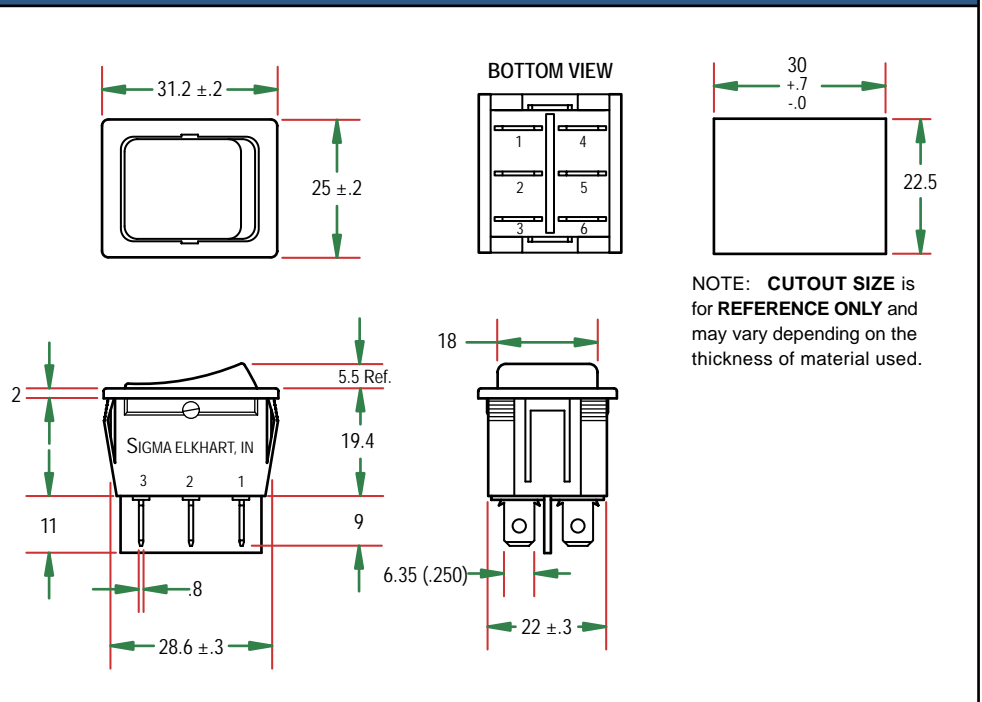
AMPS	VOLTAGE
20A	125VAC
15A	250VAC
40A Peak / 20A Continuous	12 VDC Factory Rating

* All ratings based on load per pole, opposite polarity.

APPROVALS

UL, CUL, RoHS compliant

201 SERIES (201J shown for reference only)



OUR COMMITMENT TO YOU

We are constantly adding-to and improving our selection of Rocker, Toggle, Push Button and other types of switches. If you do not find what you need here, or on other pages of our web site, please do not hesitate to contact us. If your need is custom, we would like to discuss your unique design requirements as well.

Thank you for giving us the opportunity to fulfill Your switching needs!

ORDER / HELP Desk... Call Toll Free 800-488-9505!



SIGMA
SWITCHES PLUS

4703 Wyland Dr. • Elkhart IN • 46516 • 574-294-5776 • Fax 574-294-8744

www.sigmaswitches.com



SIGMA
SWITCHES PLUS

201 SERIES

201K = DPST on/mom-off

FEATURES

- Custom colors and printing upon request.
- Optional clear boot fits all 201 series switches
- Metal plunger withstands high temperature.
- Active switch elements enclosed and protected.
- Easy to terminate with solderless connectors.
- Snap-in and self-locking panel mount

SWITCH SELECTION CHART

Part No.	Circuit	Special Markings	Black	White	Red	Blue	Green	Amber	Brown	Ivory
201K-15	DPST on/mom-off		●							

MOUNTING

No hardware or tools needed, self locks into proper panel cutout .886" x 1.181 (22.5 mm x 30.0 mm).

NOTE: CUTOUT SIZE is for REFERENCE ONLY and may vary depending on the thickness of material used.

Acceptable panel thickness range is from .039" (1.0 mm) to .118" (3.0 mm)



CAUTION! Burr direction must be away from the direction of insertion.

TERMINATION

Standard is solderless .250" wide x .032" thick (6.35 mm x .81 mm).

.187" (4.75 mm) terminals are also available.

ELECTRICAL RATING*

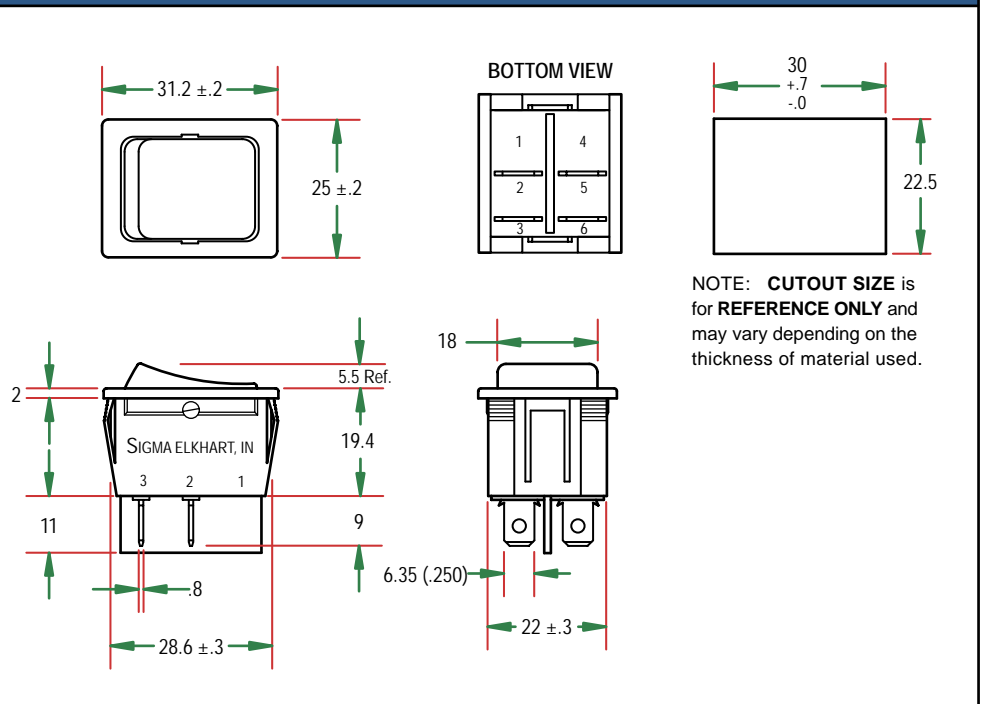
AMPS	VOLTAGE
20A	125VAC
15A	250VAC
40A Peak / 20A Continuous	12 VDC Factory Rating

* All ratings based on load per pole, opposite polarity.

APPROVALS

UL, CUL, RoHS compliant

201 SERIES (201K shown for reference only)



OUR COMMITMENT TO YOU

We are constantly adding-to and improving our selection of Rocker, Toggle, Push Button and other types of switches. If you do not find what you need here, or on other pages of our web site, please do not hesitate to contact us. If your need is custom, we would like to discuss your unique design requirements as well.

Thank you for giving us the opportunity to fulfill Your switching needs!

ORDER / HELP Desk... Call Toll Free 800-488-9505!



SIGMA
SWITCHES PLUS

4703 Wyland Dr. • Elkhart IN • 46516 • 574-294-5776 • Fax 574-294-8744

www.sigmaswitches.com



SIGMA
SWITCHES PLUS

201 SERIES

201L = SPST on/mom-off

FEATURES

- Custom colors and printing upon request.
- Optional clear boot fits all 201 series switches
- Metal plunger withstands high temperature.
- Active switch elements enclosed and protected.
- Easy to terminate with solderless connectors.
- Snap-in and self-locking panel mount

SWITCH SELECTION CHART

Part No.	Circuit	Special Markings	Black	White	Red	Blue	Green	Amber	Brown	Ivory
201L-15	SPST on/mom-off		●							

MOUNTING

No hardware or tools needed, self locks into proper panel cutout .886" x 1.181 (22.5 mm x 30.0 mm).

NOTE: CUTOUT SIZE is for REFERENCE ONLY and may vary depending on the thickness of material used.

Acceptable panel thickness range is from .039" (1.0 mm) to .118" (3.0 mm)



CAUTION! Burr direction must be away from the direction of insertion.

TERMINATION

Standard is solderless .250" wide x .032" thick (6.35 mm x .81 mm).

.187" (4.75 mm) terminals are also available.

ELECTRICAL RATING*

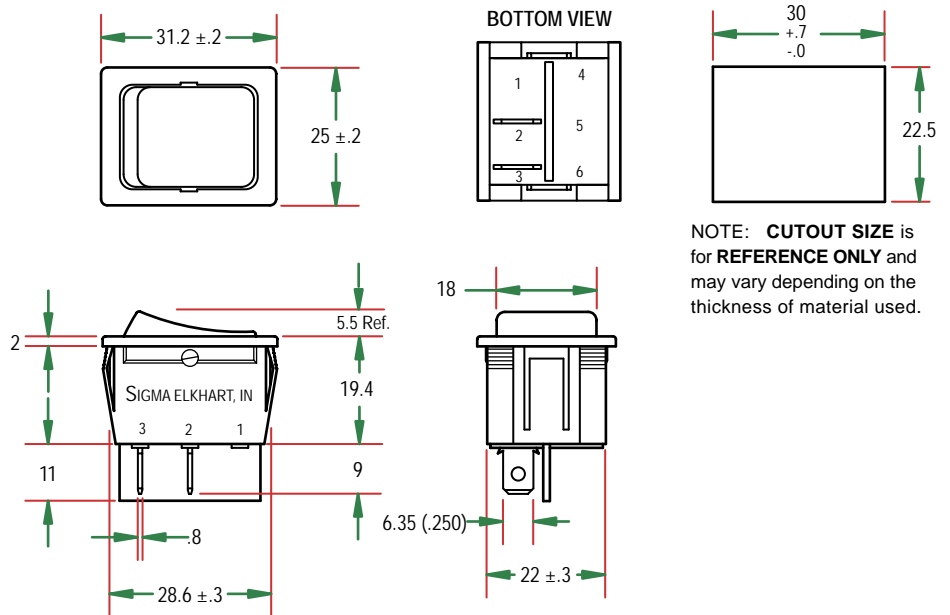
AMPS	VOLTAGE
20A	125VAC
15A	250VAC
40A Peak / 20A Continuous	12 VDC Factory Rating

* All ratings based on load per pole, opposite polarity.

APPROVALS

UL, CUL, RoHS compliant

201 SERIES (201L shown for reference only)



OUR COMMITMENT TO YOU

We are constantly adding-to and improving our selection of Rocker, Toggle, Push Button and other types of switches. If you do not find what you need here, or on other pages of our web site, please do not hesitate to contact us. If your need is custom, we would like to discuss your unique design requirements as well.

Thank you for giving us the opportunity to fulfill Your switching needs!

ORDER / HELP Desk... Call Toll Free 800-488-9505!



SIGMA
SWITCHES PLUS

4703 Wyland Dr. • Elkhart IN • 46516 • 574-294-5776 • Fax 574-294-8744

www.sigmaswitches.com



SIGMA
SWITCHES PLUS

201 SERIES

201N = SPDT on/off/mom-on

FEATURES

- Custom colors and printing upon request.
- Optional clear boot fits all 201 series switches
- Metal plunger withstands high temperature.
- Active switch elements enclosed and protected.
- Easy to terminate with solderless connectors.
- Snap-in and self-locking panel mount

SWITCH SELECTION CHART

Part No.	Circuit	Special Markings	Black	White	Red	Blue	Green	Amber	Brown	Ivory
201N-15	SPDT on/off/mom-on		●							

MOUNTING

No hardware or tools needed, self locks into proper panel cutout .886" x 1.181 (22.5 mm x 30.0 mm).

NOTE: CUTOUT SIZE is for REFERENCE ONLY and may vary depending on the thickness of material used.

Acceptable panel thickness range is from .039" (1.0 mm) to .118" (3.0 mm)



CAUTION! Burr direction must be away from the direction of insertion.

TERMINATION

Standard is solderless .250" wide x .032" thick (6.35 mm x .81 mm).

.187" (4.75 mm) terminals are also available.

ELECTRICAL RATING*

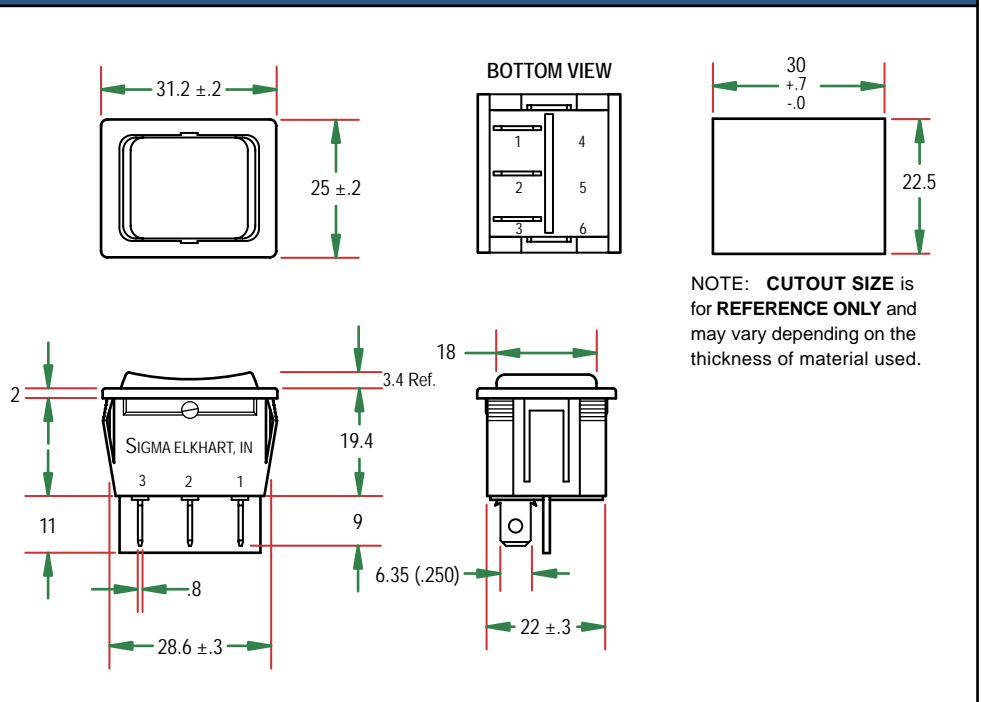
AMPS	VOLTAGE
20A	125VAC
15A	250VAC
40A Peak / 20A Continuous	12 VDC Factory Rating

* All ratings based on load per pole, opposite polarity.

APPROVALS

UL, CUL, RoHS compliant

201 SERIES (201N shown for reference only)



OUR COMMITMENT TO YOU

We are constantly adding-to and improving our selection of Rocker, Toggle, Push Button and other types of switches. If you do not find what you need here, or on other pages of our web site, please do not hesitate to contact us. If your need is custom, we would like to discuss your unique design requirements as well.

Thank you for giving us the opportunity to fulfill Your switching needs!

ORDER / HELP Desk... Call Toll Free 800-488-9505!



SIGMA
SWITCHES PLUS

4703 Wyland Dr. • Elkhart IN • 46516 • 574-294-5776 • Fax 574-294-8744

www.sigmaswitches.com



SIGMA
SWITCHES PLUS

201 SERIES

201P = DPDT on/off/on

FEATURES

- Custom colors and printing upon request.
- Optional clear boot fits all 201 series switches
- Metal plunger withstands high temperature.
- Active switch elements enclosed and protected.
- Easy to terminate with solderless connectors.
- Snap-in and self-locking panel mount

SWITCH SELECTION CHART

Part No.	Circuit	Special Markings	Black	White	Red	Blue	Green	Amber	Brown	Ivory
201P-61	DPDT on/off/on		●							
201P-61-418S	DPDT on/off/on	"I O II" Print	●							
201P-36	DPDT on/off/on			○						
201P-36-379B	DPDT on/off/on	"I O ✓" Print		○						

MOUNTING

No hardware or tools needed, self locks into proper panel cutout .886" x 1.181 (22.5 mm x 30.0 mm).

NOTE: CUTOUT SIZE is for REFERENCE ONLY and may vary depending on the thickness of material used.

Acceptable panel thickness range is from .039" (1.0 mm) to .118" (3.0 mm)



CAUTION! Burr direction must be away from the direction of insertion.

TERMINATION

Standard is solderless .250" wide x .032" thick (6.35 mm x .81 mm).

.187" (4.75 mm) terminals are also available.

ELECTRICAL RATING*

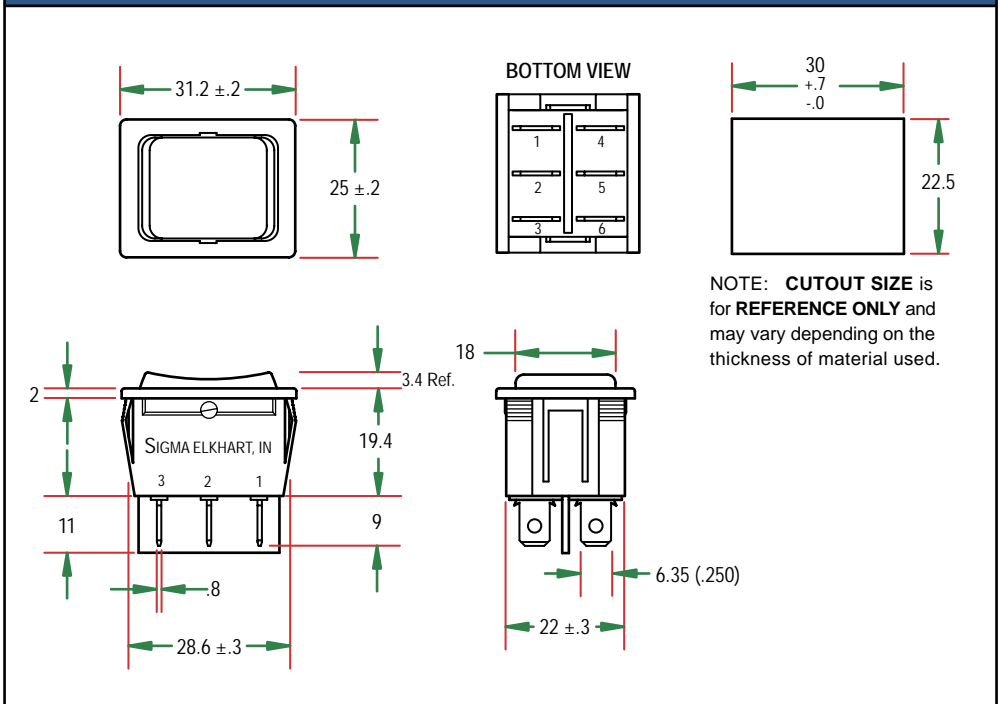
AMPS	VOLTAGE
20A	125VAC
15A	250VAC
40A Peak / 20A Continuous	12 VDC Factory Rating

* All ratings based on load per pole, opposite polarity.

APPROVALS

UL, CUL, RoHS compliant

201 SERIES (201P shown for reference only)



OUR COMMITMENT TO YOU

We are constantly adding-to and improving our selection of Rocker, Toggle, Push Button and other types of switches. If you do not find what you need here, or on other pages of our web site, please do not hesitate to contact us. If your need is custom, we would like to discuss your unique design requirements as well.

Thank you for giving us the opportunity to fulfill Your switching needs!

ORDER / HELP Desk... Call Toll Free 800-488-9505!



SIGMA
SWITCHES PLUS

4703 Wyland Dr. • Elkhart IN • 46516 • 574-294-5776 • Fax 574-294-8744

www.sigmaswitches.com



SIGMA
SWITCHES PLUS

201 SERIES

201Q = SPDT on/mom-on

FEATURES

- Custom colors and printing upon request.
- Optional clear boot fits all 201 series switches
- Metal plunger withstands high temperature.
- Active switch elements enclosed and protected.
- Easy to terminate with solderless connectors.
- Snap-in and self-locking panel mount

SWITCH SELECTION CHART

Part No.	Circuit	Special Markings	Black	White	Red	Blue	Green	Amber	Brown	Ivory
201Q-26	SPDT on/mom-on		●							

MOUNTING

No hardware or tools needed, self locks into proper panel cutout .886" x 1.181 (22.5 mm x 30.0 mm).

NOTE: CUTOUT SIZE is for REFERENCE ONLY and may vary depending on the thickness of material used.

Acceptable panel thickness range is from .039" (1.0 mm) to .118" (3.0 mm)



CAUTION! Burr direction must be away from the direction of insertion.

TERMINATION

Standard is solderless .250" wide x .032" thick (6.35 mm x .81 mm).

.187" (4.75 mm) terminals are also available.

ELECTRICAL RATING*

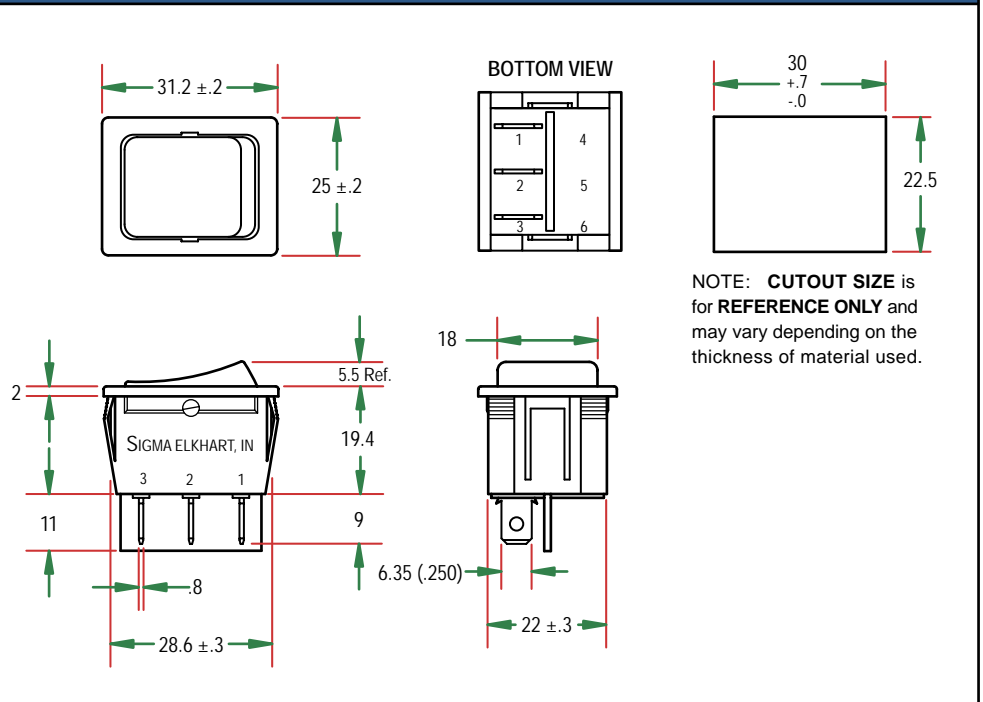
AMPS	VOLTAGE
20A	125VAC
15A	250VAC
40A Peak / 20A Continuous	12 VDC Factory Rating

* All ratings based on load per pole, opposite polarity.

APPROVALS

UL, CUL, RoHS compliant

201 SERIES (201Q shown for reference only)



OUR COMMITMENT TO YOU

We are constantly adding-to and improving our selection of Rocker, Toggle, Push Button and other types of switches. If you do not find what you need here, or on other pages of our web site, please do not hesitate to contact us. If your need is custom, we would like to discuss your unique design requirements as well.

Thank you for giving us the opportunity to fulfill Your switching needs!

ORDER / HELP Desk... Call Toll Free 800-488-9505!



SIGMA
SWITCHES PLUS

4703 Wyland Dr. • Elkhart IN • 46516 • 574-294-5776 • Fax 574-294-8744

www.sigmaswitches.com



SIGMA
SWITCHES PLUS

201 SERIES

201R = DPDT on/off/mom-on

FEATURES

- Custom colors and printing upon request.
- Optional clear boot fits all 201 series switches
- Metal plunger withstands high temperature.
- Active switch elements enclosed and protected.
- Easy to terminate with solderless connectors.
- Snap-in and self-locking panel mount

SWITCH SELECTION CHART

Part No.	Circuit	Special Markings	Black	White	Red	Blue	Green	Amber	Brown	Ivory
201R-15	DPDT on/off/mom-on		●							

MOUNTING

No hardware or tools needed, self locks into proper panel cutout .886" x 1.181 (22.5 mm x 30.0 mm).

NOTE: CUTOUT SIZE is for REFERENCE ONLY and may vary depending on the thickness of material used.

Acceptable panel thickness range is from .039" (1.0 mm) to .118" (3.0 mm)



CAUTION! Burr direction must be away from the direction of insertion.

TERMINATION

Standard is solderless .250" wide x .032" thick (6.35 mm x .81 mm).

.187" (4.75 mm) terminals are also available.

ELECTRICAL RATING*

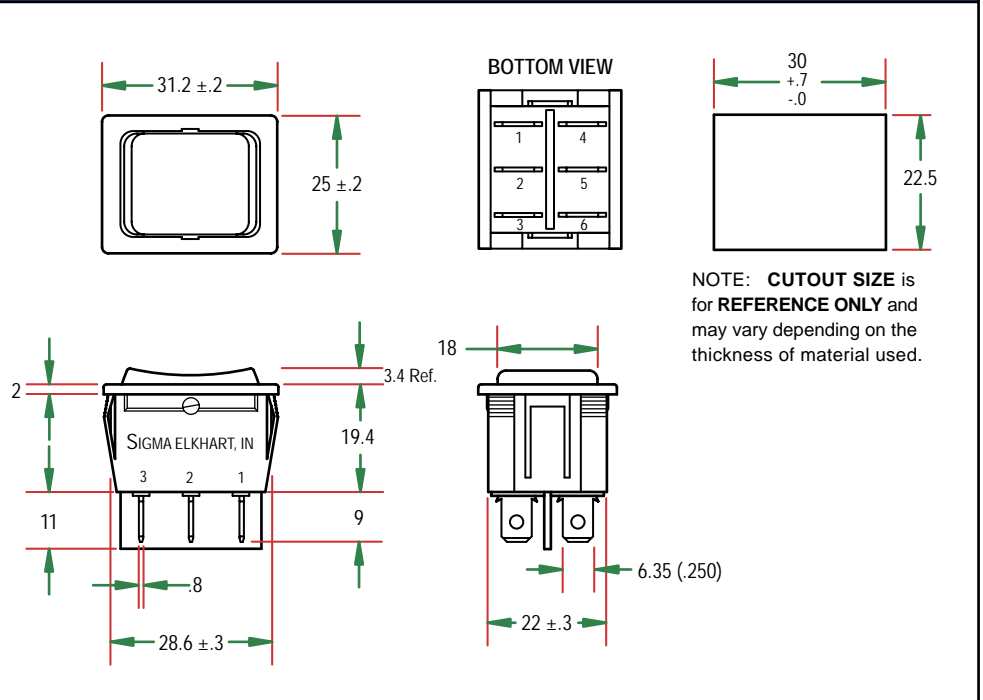
AMPS	VOLTAGE
20A	125VAC
15A	250VAC
40A Peak / 20A Continuous	12 VDC Factory Rating

* All ratings based on load per pole, opposite polarity.

APPROVALS

UL, CUL, RoHS compliant

201 SERIES (201R shown for reference only)



NOTE: CUTOUT SIZE is for REFERENCE ONLY and may vary depending on the thickness of material used.

OUR COMMITMENT TO YOU

We are constantly adding-to and improving our selection of Rocker, Toggle, Push Button and other types of switches. If you do not find what you need here, or on other pages of our web site, please do not hesitate to contact us. If your need is custom, we would like to discuss your unique design requirements as well.

Thank you for giving us the opportunity to fulfill Your switching needs!

ORDER / HELP Desk... Call Toll Free 800-488-9505!



SIGMA
SWITCHES PLUS

4703 Wyland Dr. • Elkhart IN • 46516 • 574-294-5776 • Fax 574-294-8744

www.sigmaswitches.com



SIGMA
SWITCHES PLUS

201 SERIES

201S = DPDT mom-on/off/mom-on

FEATURES

- Custom colors and printing upon request.
- Optional clear boot fits all 201 series switches
- Metal plunger withstands high temperature.
- Active switch elements enclosed and protected.
- Easy to terminate with solderless connectors.
- Snap-in and self-locking panel mount

SWITCH SELECTION CHART

Part No.	Circuit	Special Markings	Black	White	Red	Blue	Green	Amber	Brown	Ivory
201S-15	DPDT mom-on/off/mom-on		●							
201S-18	DPDT mom-on/off/mom-on								●	
201S-36	DPDT mom-on/off/mom-on			○						
201S-58	DPDT mom-on/off/mom-on									○

MOUNTING

No hardware or tools needed, self locks into proper panel cutout .886" x 1.181 (22.5 mm x 30.0 mm).

NOTE: CUTOUT SIZE is for REFERENCE ONLY and may vary depending on the thickness of material used.

Acceptable panel thickness range is from .039" (1.0 mm) to .118" (3.0 mm)



CAUTION! Burr direction must be away from the direction of insertion.

TERMINATION

Standard is solderless .250" wide x .032" thick (6.35 mm x .81 mm).

.187" (4.75 mm) terminals are also available.

ELECTRICAL RATING*

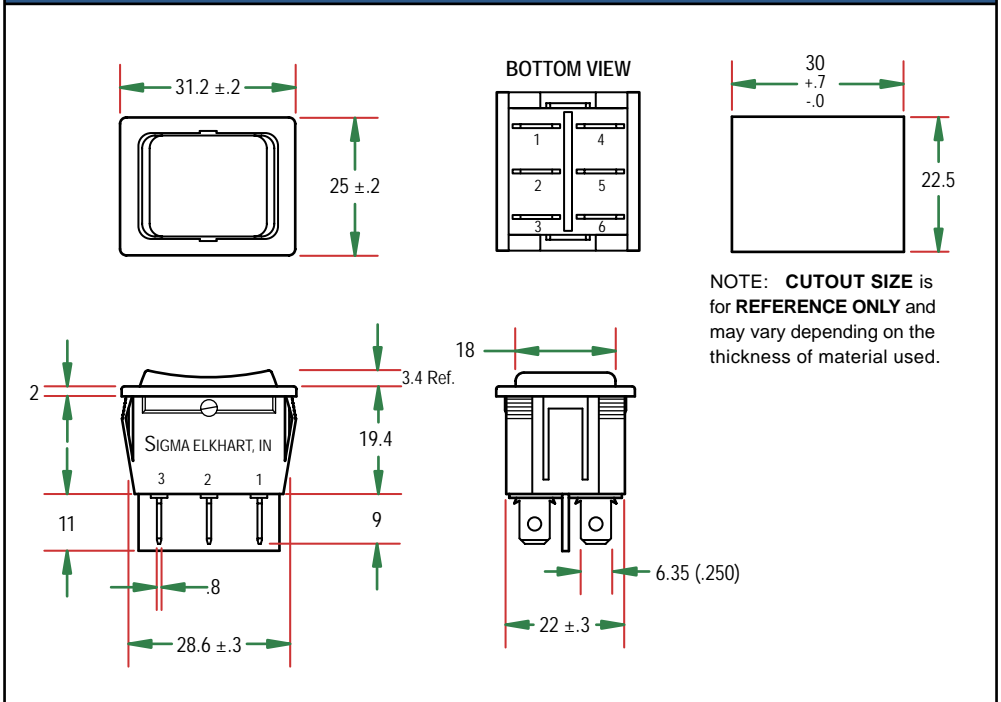
AMPS	VOLTAGE
20A	125VAC
15A	250VAC
40A Peak / 20A Continuous	12 VDC Factory Rating

* All ratings based on load per pole, opposite polarity.

APPROVALS

UL, CUL, RoHS compliant

201 SERIES (201S shown for reference only)



OUR COMMITMENT TO YOU

We are constantly adding-to and improving our selection of Rocker, Toggle, Push Button and other types of switches. If you do not find what you need here, or on other pages of our web site, please do not hesitate to contact us. If your need is custom, we would like to discuss your unique design requirements as well.

Thank you for giving us the opportunity to fulfill Your switching needs!

ORDER / HELP Desk... Call Toll Free 800-488-9505!



SIGMA
SWITCHES PLUS

4703 Wyland Dr. • Elkhart IN • 46516 • 574-294-5776 • Fax 574-294-8744

www.sigmaswitches.com