



WWW.SIGMASWITCHES.COM

SERIES 1

**ORDER DESK TOLL FREE
(800) 488-9505**



**SIGMA
SWITCHES PLUS**

4703 WYLAND DRIVE • ELKHART • IN • 46516 • 574-294-5776 • FAX 574-294-8744

WWW.SIGMASWITCHES.COM



SIGMA
SWITCHES PLUS

1 SERIES

1A = Illuminated SPST on/off

FEATURES

- Self cleaning contacts
- Custom colors & printing available upon request
- Heavy-duty switching
- Light, yet positive detent action virtually tease-proof.
- Easy self-locking panel mount, no hardware required
- Optional clear boot fits all 1 Series switches
- Fully enclosed active switching elements
- Bright neon, LED or incandescent bulb clearly indicates ON position



CAUTION! Switches marked are acceptable for use as power switches provided there is a plug disconnect or a switch with open contact gaps of 3 mm minimum.

MOUNTING

No hardware or tools needed. Self locks into proper panel cutout 14.0mm (.550") x 28.6mm (1.125").

Acceptable panel thickness range is from .64mm (0.025") to 4.57mm (0.180").



CAUTION! Burr direction must be away from the direction of insertion

TERMINATION

Standard is solderless 6.35mm (0.250") wide x 0.81mm (0.032") thick.

ELECTRICAL RATING

AMPS	VOLTAGE
16A	125VAC
12A	250VAC
3/4 HP	125-250VAC
9.5A	14V(T)
20A factory	14VDC Peak

APPROVALS

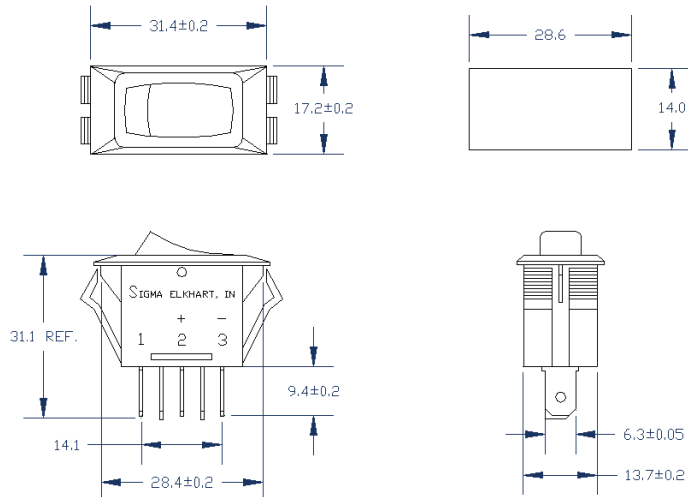
UL, CUL, RoHS compliant

SWITCH SELECTION CHART

Part No.	Circuit	Illuminated Voltage	Special Markings	BLK	WHT	RED	BLU	GRN	AMB	BRN	IVY
1A-09	Illum SPST on/off	14V LED	Transparent Rocker		○				○		
1A-10	Illum SPST on/off	14V LED	Transparent Rocker		○	○					
1A-19	Illum SPST on/off	14V LED	Transparent Rocker	○		○					
1A-21	Illum SPST on/off	125 VAC	Transparent Rocker	○		○					
1A-25	Illum SPST on/off	125 VAC	Transparent Rocker	○			○				
1A-27	Illum SPST on/off	125 VAC	Transparent Rocker	○					○		
1A-28	Illum SPST on/off	125 VAC	Transparent Rocker	○				○			
1A-31	Illum SPST on/off	14V LED	Transparent Rocker	○		○					
1A-32-B	Illum SPST on/off	12 VDC	Transparent Rocker			○				○	
1A-33-B	Illum SPST on/off	12 VDC	Transparent Rocker						○	○	
1A-34-B	Illum SPST on/off	12 VDC	Transparent Rocker					○		○	
1A-36	Illum SPST on/off	14V LED	Transparent Rocker	○			○				
1A-37-B	Illum SPST on/off	12V DC	Transparent Rocker	○					○		
1A-38-B	Illum SPST on/off	12V DC	Transparent Rocker	○				○			
1A-82-B	Illum SPST on/off	12V DC	Transparent Rocker			○					○
1A-83-B	Illum SPST on/off	12V DC	Transparent Rocker						○		○
1A-84	Illum SPST on/off	125 VDC	Transparent Rocker			○					○
1A-85	Illum SPST on/off	125 VDC	Transparent Rocker			○				○	

1 SERIES (1A-31 SHOWN FOR REFERENCE PURPOSE ONLY)

NOTE: CUTOUT SIZE IS FOR REFERENCE ONLY AND MAY VARY DEPENDING ON THE THICKNESS OF THE MATERIAL USED.



OUR COMMITMENT TO YOU

We are constantly adding-to and improving our selection of Rocker, Toggle, Push Button and other types of switches. If you do not find what you need here, or on other pages of our web site, please do not hesitate to contact us. If your need is custom, we would like to discuss your unique design requirements as well.

Thank you for giving us the opportunity to fulfill Your switching needs!



SIGMA
SWITCHES PLUS

4703 Wyland Dr.
Elkhart, IN 46516
PH: 574-294-5776
FX: 574-294-8744

www.sigmaswitches.com



FEATURES

- Self cleaning contacts
- Custom colors & printing available upon request
- Heavy-duty switching
- Light, yet positive detent action virtually tease-proof.
- Easy self-locking panel mount, no hardware required
- Optional clear boot fits all 1 Series switches
- Fully enclosed active switching elements



CAUTION! Switches marked are acceptable for use as power switches provided there is a plug disconnect or a switch with open contact gaps of 3 mm minimum.

MOUNTING

No hardware or tools needed. Self locks into proper panel cutout 14.0mm (.550") x 28.6mm (1.125").

Acceptable panel thickness range is from .64mm (0.025") to 4.57mm (0.180").



CAUTION! Burr direction must be away from the direction of insertion

TERMINATION

Standard is solderless 6.35mm (0.250") wide x 0.81mm (0.032") thick.

ELECTRICAL RATING

AMPS	VOLTAGE
13A	125VAC
10A	250VAC
5A	14V(T)
20A factory	14VDC Peak

APPROVALS

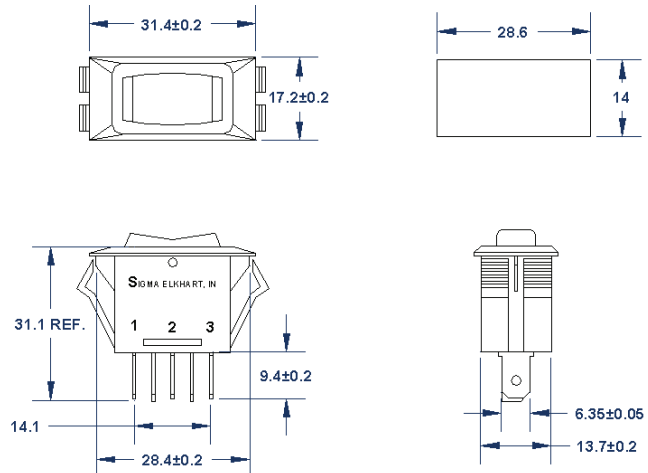
UL, CUL, RoHS compliant

SWITCH SELECTION CHART

Part No.	Circuit	BLK	WHT	RED	BLU	GRN	AMB	BRN	IVY
1F-12	SPDT mom-on/off/mom-on	O							
1F-22	SPDT mom-on/off/mom-on							O	
1F89	SPDT mom-on/off/mom-on								O
1F-93	SPDT mom-on/off/mom-on		O						

1 SERIES (1F-12 SHOWN FOR REFERENCE PURPOSE ONLY)

NOTE: CUTOUT SIZE IS FOR REFERENCE ONLY AND MAY VARY DEPENDING ON THE THICKNESS OF THE MATERIAL USED.



OUR COMMITMENT TO YOU

We are constantly adding-to and improving our selection of Rocker, Toggle, Push Button and other types of switches. If you do not find what you need here, or on other pages of our web site, please do not hesitate to contact us. If your need is custom, we would like to discuss your unique design requirements as well.

Thank you for giving us the opportunity to fulfill Your switching needs!



FEATURES

- Self cleaning contacts
- Custom colors & printing available upon request
- Heavy-duty switching
- Light, yet positive detent action virtually tease-proof.
- Easy self-locking panel mount, no hardware required
- Optional clear boot fits all 1 Series switches
- Fully enclosed active switching elements



CAUTION! Switches marked with a triangle symbol are acceptable for use as power switches provided there is a plug disconnect or a switch with open contact gaps of 3 mm minimum.

MOUNTING

No hardware or tools needed. Self locks into proper panel cutout 14.0mm (.550") x 28.6mm (1.125").

Acceptable panel thickness range is from .64mm (0.025") to 4.57mm (0.180").



CAUTION! Burr direction must be away from the direction of insertion

TERMINATION

Standard is solderless 6.35mm (0.250") wide x 0.81mm (0.032") thick.

ELECTRICAL RATING

AMPS	VOLTAGE
16A	125VAC
12A	250VAC
10A	14V(T)
3/4HP	125VAC-250VAC

APPROVALS

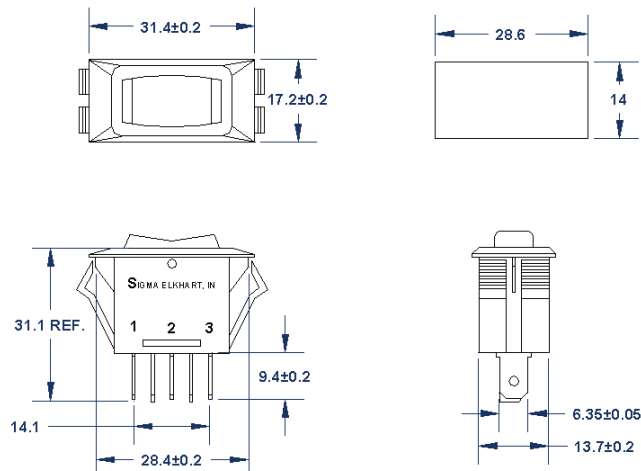
UL, CSA, RoHS compliant

SWITCH SELECTION CHART

Part No.	Circuit	BLK	WHT	RED	BLU	GRN	AMB	BRN	IVY
1N-15	SPDT mom-on/off/on	O							

1 SERIES (1N-15 SHOWN FOR REFERENCE PURPOSE ONLY)

NOTE: CUTOUT SIZE IS FOR REFERENCE ONLY AND MAY VARY DEPENDING ON THE THICKNESS OF THE MATERIAL USED.



SIGMA SWITCHES PLUS

4703 Wyland Dr.
Elkhart, IN 46516
PH: 574-294-5776
FX: 574-294-8744

www.sigmaswitches.com

OUR COMMITMENT TO YOU

We are constantly adding-to and improving our selection of Rocker, Toggle, Push Button and other types of switches. If you do not find what you need here, or on other pages of our web site, please do not hesitate to contact us. If your need is custom, we would like to discuss your unique design requirements as well.

Thank you for giving us the opportunity to fulfill Your switching needs!