



SIGMA
SWITCHES PLUS

129 SERIES

HEAVY DUTY ROCKER SWITCHES

FEATURES

- **Designed to meet or exceed IP55**
- Custom colors & printing available upon request
- Heavy-duty switching
- Light, yet positive detent action virtually tease-proof.
- Easy self-locking panel mount hardware required
- Optional clear boot fits all 2 Series switches
- Fully enclosed active switching elements
- Bright neon or LED clearly indicates ON position

MOUNTING

Material	X	Y
.75 - 1.25	37.3±0.1	21.2±0.1
1.25 - 2.00	37.5±0.1	21.2±0.1
2.00 - 3.00	37.9±0.1	21.2±0.1

Acceptable panel thickness range is from .030" (.75 mm) to .118" (3.00 mm).



CAUTION! Burr direction must be away from the direction of insertion

TERMINATION

Standard is solderless .250" (6.35 mm) wide x .032" (.81 mm) thick.

ELECTRICAL RATING

SEE INDIVIDUAL DATA SHEETS FOR EXACT RATINGS

AMPS	VOLTAGE
16A	125VAC (CSA)
15A	125VAC (UL)
10A	250VAC
3/4 HP	250VAC
16A	12VDC

APPROVALS

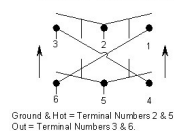
UL, CUL, CSA, IP55, RoHS compliant

SWITCH SELECTION CHART

Part No.	Circuit	Illuminated Voltage	Special Markings	BLK	WHT	RED	BLU	GRN	AMB	BRN	IVY
129B-18	SPST on/off		"ON OFF" "I O" "- O"	O							
129C-26	SPDT on/on			O							
129D-27	SPDT on/off/on			O							
129E-26	DPST on/on			O							
129F-12	DPDT (on)off(on)			O							
129G-11	SPST (on)off			O							
129H-28	DPST on/off			O							
129I-15	DPST (on)off			O							
129J-15	DPDT (on)on			O							
129K-15	DPST on(off)			O							
129L-15	SPST on(off)			O							
129N-13	SPDT on/off(on)			O							
129P-61	DPDT on/off/on			O							
129P-15X	DPDT on/off/on		Reverse Polarity	O							
129Q-15	SPDT (on)off			O							
129R-15	DPDT on/off(on)			O							
129S-15	DPDT (on)off(on)			O							
129S-15X	DPDT (on)off(on)		Reverse Polarity	O							

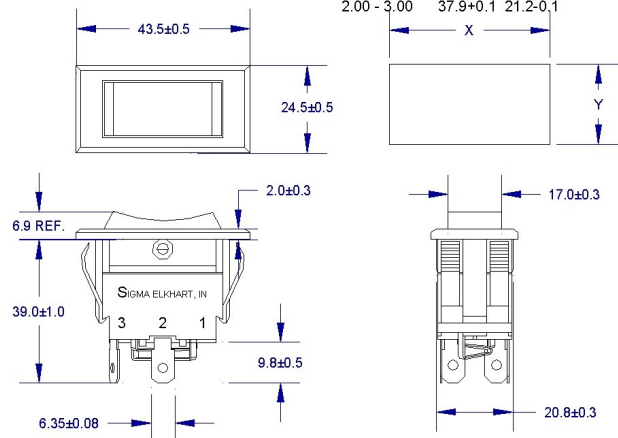
129 SERIES DRAWING (129S-15X SHOWN FOR REFERENCE PURPOSE ONLY)

CIRCUIT DIAGRAM



NOTE: CUTOUT SIZE IS FOR REFERENCE ONLY AND MAY VARY DEPENDING ON THE THICKNESS OF THE MATERIAL USED.

Mat'l Thickness	X	Y
0.75 - 1.25	37.3±0.1	21.2±0.1
1.25 - 2.00	37.5±0.1	21.2±0.1
2.00 - 3.00	37.9±0.1	21.2±0.1



SIGMA
SWITCHES PLUS

4703 Wyland Dr.
Elkhart, IN 46516
Ph: 574-294-5776
Fax: 574-294-8744

www.sigmaswitches.com

OUR COMMITMENT TO YOU

We are constantly adding-to and improving our selection of Rocker, Toggle, Push Button and other types of switches. If you do not find what you need here, or on other pages of our web site, please do not hesitate to contact us. If your need is custom, we would like to discuss your unique design requirements as well.

Thank you for giving us the opportunity to fulfill Your switching needs!