



**SIGMA**  
SWITCHES PLUS

**201 SERIES**

201L = SPST on/mom-off

**FEATURES**

- Custom colors and printing upon request.
- Optional clear boot fits all 201 series switches
- Metal plunger withstands high temperature.
- Active switch elements enclosed and protected.
- Easy to terminate with solderless connectors.
- Snap-in and self-locking panel mount

**SWITCH SELECTION CHART**

Part No.	Circuit	Special Markings	Black	White	Red	Blue	Green	Amber	Brown	Ivory
201L-15	SPST on/mom-off		●							

**MOUNTING**

No hardware or tools needed, self locks into proper panel cutout .886" x 1.181 (22.5 mm x 30.0 mm).

**NOTE: CUTOUT SIZE is for REFERENCE ONLY and may vary depending on the thickness of material used.**

Acceptable panel thickness range is from .039" (1.0 mm) to .118" (3.0 mm)



**CAUTION!** Burr direction must be away from the direction of insertion.

**TERMINATION**

Standard is solderless .250" wide x .032" thick (6.35 mm x .81 mm).

.187" (4.75 mm) terminals are also available.

**ELECTRICAL RATING\***

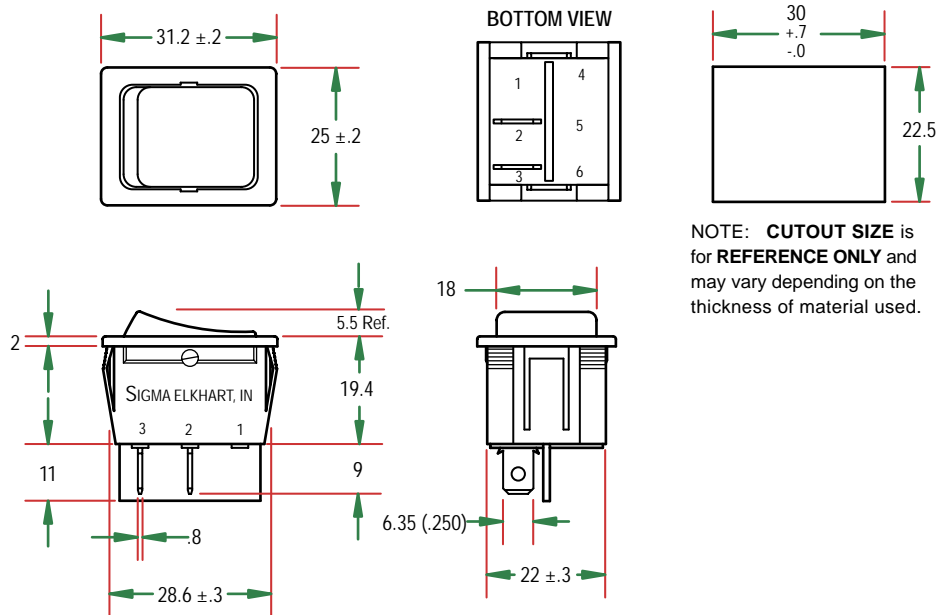
AMPS	VOLTAGE
20A	125VAC
15A	250VAC
40A Peak / 20A Continuous	12 VDC Factory Rating

\* All ratings based on load per pole, opposite polarity.

**APPROVALS**

UL, CUL, RoHS compliant

**201 SERIES (201L shown for reference only)**



**OUR COMMITMENT TO YOU**

We are constantly adding-to and improving our selection of Rocker, Toggle, Push Button and other types of switches. If you do not find what you need here, or on other pages of our web site, please do not hesitate to contact us. If your need is custom, we would like to discuss your unique design requirements as well.

*Thank you for giving us the opportunity to fulfill Your switching needs!*

**ORDER / HELP Desk... Call Toll Free 800-488-9505!**



**SIGMA**  
SWITCHES PLUS

4703 Wyland Dr. • Elkhart IN • 46516 • 574-294-5776 • Fax 574-294-8744

www.sigmaswitches.com