



SIGMA
SWITCHES PLUS

1U SERIES

1U = Switch Blank / Hole Filler

FEATURES

- Custom colors & printing available upon request

MOUNTING

No hardware or tools needed. Self locks into proper panel cutout 14.0mm (.550") x 28.6mm (1.125").

Acceptable panel thickness range is from .64mm (0.025") to 4.57mm (0.180").



CAUTION! Burr direction must be away from the direction of insertion

APPROVALS

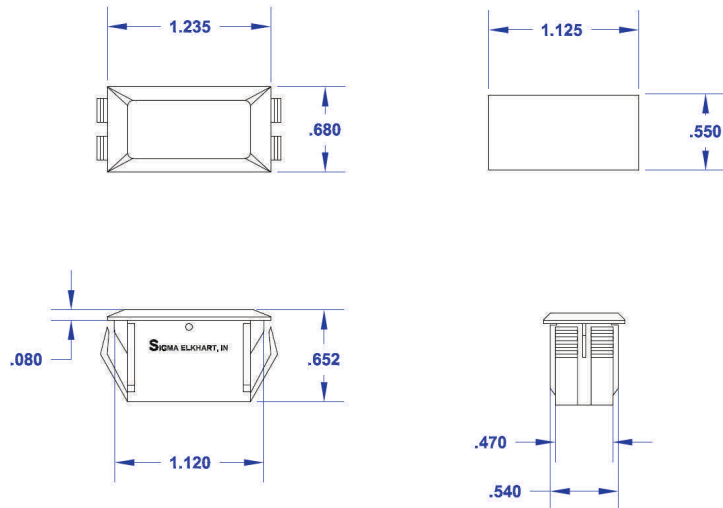
RoHS compliant

SWITCH SELECTION CHART

Part No.	Description	Special Markings	BLK	WHT	RED	BLU	GRN	AMB	BRN	IVY
1U-01-U	Switch Blank / Hole Filler			○						
1U-15-U	Switch Blank / Hole Filler		○							
1U-18-U	Switch Blank / Hole Filler							○		
1U-58-U	Switch Blank / Hole Filler									○

1U SERIES (1U-15-U SHOWN FOR REFERENCE PURPOSE ONLY)

NOTE: CUTOUT SIZE IS FOR REFERENCE ONLY AND MAY VARY DEPENDING ON THE THICKNESS OF THE MATERIAL USED.



SIGMA
SWITCHES PLUS

4703 Wyland Dr.
Elkhart, IN 46516
PH: 574-294-5776
FX: 574-294-8744

www.sigmaswitches.com

OUR COMMITMENT TO YOU

We are constantly adding-to and improving our selection of Rocker, Toggle, Push Button and other types of switches. If you do not find what you need here, or on other pages of our web site, please do not hesitate to contact us. If your need is custom, we would like to discuss your unique design requirements as well.

Thank you for giving us the opportunity to fulfill Your switching needs!