



**SIGMA**  
SWITCHES PLUS

**1U SERIES**  
1C = SPDT on/on

**FEATURES**

- Self cleaning contacts
- Custom colors & printing available upon request
- Heavy-duty switching
- Light, yet positive detent action virtually tease-proof.
- Easy self-locking panel mount, no hardware required
- Optional clear boot fits all 1 Series switches
- Fully enclosed active switching elements



**CAUTION!** Switches marked with a triangle symbol are acceptable for use as power switches provided there is a plug disconnect or a switch with open contact gaps of 3 mm minimum.

**MOUNTING**

No hardware or tools needed. Self locks into proper panel cutout 14.0mm (.550") x 28.6mm (1.125").

Acceptable panel thickness range is from .64mm (0.025") to 4.57mm (0.180").



**CAUTION!** Burr direction must be away from the direction of insertion

**TERMINATION**

Standard is solderless 6.35mm (0.250") wide x 0.81mm (0.032") thick.

**ELECTRICAL RATING**

AMPS	VOLTAGE
20A	14VDC
15A	14V Tung.

**APPROVALS**

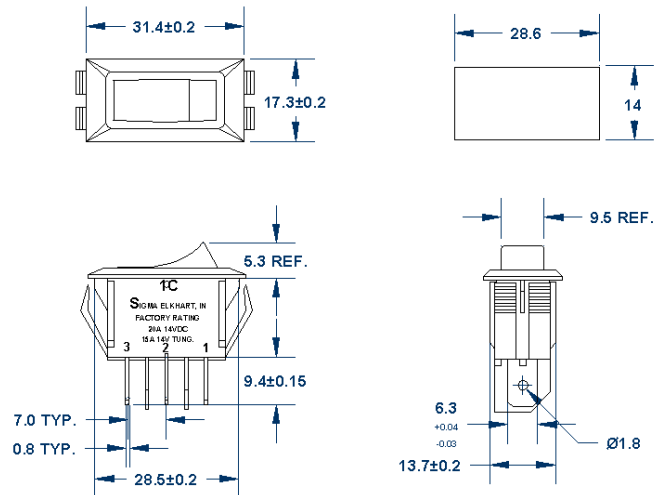
RoHS compliant

**SWITCH SELECTION CHART**

Part No.	Circuit	Special Markings	BLK	WHT	RED	BLU	GRN	AMB	BRN	IVY
1C-26-U	SPDT on/on		O							
1C-41-U	SPDT on/on			O						
1C-53-U	SPDT on/on								O	
1C-86-U	SPDT on/on									O

**1U SERIES (1C-26-U SHOWN FOR REFERENCE PURPOSE ONLY)**

NOTE: CUTOUT SIZE IS FOR REFERENCE ONLY AND MAY VARY DEPENDING ON THE THICKNESS OF THE MATERIAL USED.



**SIGMA**  
SWITCHES PLUS

4703 Wyland Dr.  
Elkhart, IN 46516  
PH: 574-294-5776  
FX: 574-294-8744

www.sigmaswitches.com

**OUR COMMITMENT TO YOU**

We are constantly adding-to and improving our selection of Rocker, Toggle, Push Button and other types of switches. If you do not find what you need here, or on other pages of our web site, please do not hesitate to contact us. If your need is custom, we would like to discuss your unique design requirements as well.

*Thank you for giving us the opportunity to fulfill Your switching needs!*