



FEATURES

- Choice of Colors and Markings
- Optional clear boot fits all 112 Series switches
- Metal plunger withstands high temperature
- Crisp detent action



*Switches marked **U** are acceptable for use as power switches provided there is a plug disconnect or a switch with open contact gaps of 3 mm minimum.

MOUNTING

No hardware or tools needed, self locks into proper panel cutout $\varnothing .795"$ (20.2 mm).

Acceptable panel thickness range is from $.030"$ (.75 mm) to $.118"$ (3.00 mm).



CAUTION! Burr direction must be away from the direction of insertion.

TERMINATION

Standard is solderless $.187"$ (4.75 mm) wide x $.032"$ (.81 mm) thick.

AMPS VOLTAGE

| | |
|-----|--------|
| 16A | 125VAC |
| 10A | 250VAC |

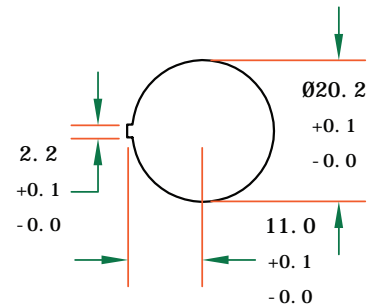
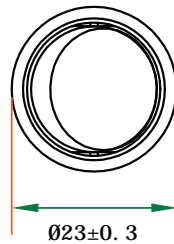
APPROVALS

UL, CUL

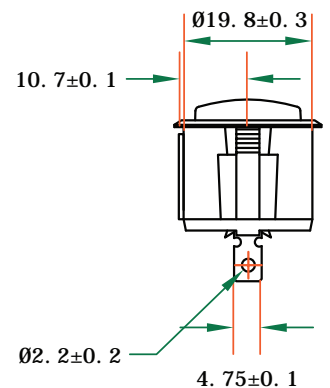
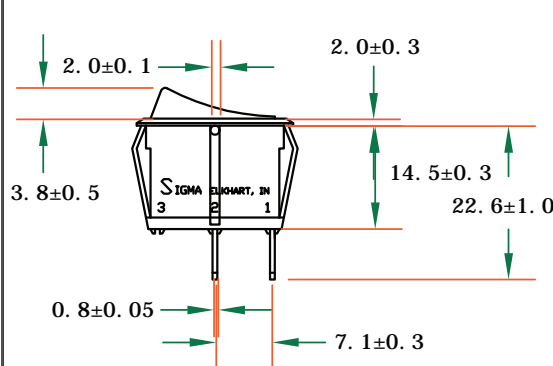
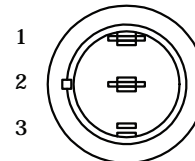
SWITCH SELECTION CHART

| Part No. | Circuit | Special Markings | Black | White | Red | Blue | Green | Amber |
|----------|-----------------|------------------|-------|-------|-----|------|-------|-------|
| 112G-11 | SPST mom-on/off | | ● | | | | | |
| 112G-81 | SPST mom-on/off | | ● | | ● | | | |

112 SERIES (112G-11 Shown for reference purposes)



Bottom View



SIGMA
SWITCHES PLUS
4703 Wyland Dr.
Elkhart, IN 46516
Tel: 574-294-5776
Fax: 574-294-8744

www.sigmaswitches.com

OUR COMMITMENT TO YOU

We are constantly adding to and improving our selection of Rocker, Toggle, Push Button and other types of switches. If you don't find it here, or on the pages of our website, feel free to contact us for the most current information. If you need a specially designed custom switch, we can discuss your custom design requirements as well. We look forward to helping you with your next switch purchase.